

OPERATING INSTRUCTIONS

1. Unwind the cord to its full length and place the heater on a firm, level, heat-resistant surface in a stable, upright position.
2. Visually inspect the ventilation holes to ensure that there are no blockages.
3. Turn the thermostat knob to the minimum position and set the power switch to OFF. Then insert the plug into a suitable wall outlet (10Amp).
4. Turn the power switch from "0" to either "I" (Low Heat), "II" (Medium Heat) or "III" (High Heat).
5. Turn the thermostat knob clockwise to maximum position, once the room temperature rises to a comfortable level, to maintain the room temperature, turn the knob anti-clockwise until the indicator light turns OFF. The heater will turn off but will automatically turn back on when it detects that the ambient temperature has decreased. To lower the temperature, turn the knob further anti-clockwise. To increase the temperature, turn the knob further clockwise.

Note: There may be some non-harmful odour emitted from the heater initially. This is normal during the break-in period or after long-term storage. Place the heater is used in a well-ventilated area and continue running it until the odour disappears.

Note: To avoid overloading a circuit do not plug the heater into a circuit that already has other appliances working.

Note: Never leave this heater unattended when in use.

Caution: Make sure there is nothing flammable or heat sensitive within 1 metre (40 inches). Operating the heater in any other position could cause a hazard.

Caution: If there is an oil leak, do not use.

Warning: This product generates heat during operation, to avoid overheating "DO NOT COVER" the product. Proper precautions must be taken to prevent the risk of burns, scalds, fire or other damage to individuals or property.

HEAT SETTING	POWER
Low Heat	400W
Medium Heat	600W
High Heat	1000W

SAFETY CUT-OFF

THERMAL PROTECTIVE DEVICE

The heater has an overheat protection system that shuts off the heater in the event of overheating.

If the heater stops working:

1. Turn OFF the heater and inspect the ventilation holes for blockages.

12 Month Warranty

Thank you for your purchase.

Your new product is warranted to be free from defects in materials and workmanship for the period stated above, from the date of purchase, provided that the product is used in accordance with accompanying recommendations or instructions where provided. This warranty is in addition to your rights under the Australian Consumer Law.

For New Zealand customers, this warranty is in addition to statutory rights observed under New Zealand legislation.

We will provide you with your choice of a refund, repair (where possible) or exchange (availability dependent) for this product if it becomes defective within the warranty period. The business will bear the reasonable expense of claiming the warranty.

This warranty will no longer apply where the defect is a result of alteration, accident, misuse, abuse or neglect.

Please retain your receipt as proof of purchase and contact our Customer Service Centre as listed below, for the entity you purchased this product from, for any difficulties with your product. Warranty claims and claims for expense incurred in returning this product can be addressed to the respective Customer Service Centre.

2. Unplug the heater and wait for it to cool (approximately 30 minutes).

If the unit does not restart, the permanent thermal fuse has operated, and the unit will not function. Do not attempt to operate the unit, since the overheat protection system cannot be reset by the user. Do not open the unit and rest by yourself. There are no user serviceable parts inside.

TIP OVER SWITCH

This heater incorporates a tip over switch. If the unit is tilted or knocked over the power will be cut automatically. When the heater is returned to the upright position, it will function normally.

CARE AND CLEANING

1. Before cleaning, turn off the heater, unplug it from the power outlet and allow the heater to cool (approximately 30 minutes).
2. Carefully wipe the exterior of the heater with a soft damp cloth and dry thoroughly with a dry cloth.

Note: Do not immerse the power cord, plug or heater into water or any liquid or pour water or any other liquid over the heater.

1. Over time, dust may accumulate. This can be removed by wiping with a damp cloth, or by using the brush attachment on your vacuum cleaner.
2. Make sure that the heater is dry before plugging it back into the power outlet.

Any other servicing should be performed by an authorized service representative. Do not use the heater if it has malfunctioned or become damaged in any way. When the heater is not in use, store in a cool dry location and take care not to damage the product. Do not store until the heater is cool.

DISPOSAL OF THE UNIT

At the end of its working life, do not dispose of the heater with your household waste. Observe any local requirements regarding appropriate disposal or recycling of electrical goods. Contact your local authorities for advice regarding recycling facilities in your area.

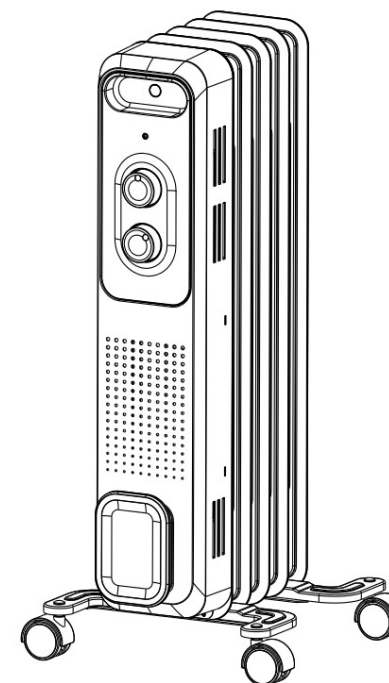
TECHNICAL SPECIFICATIONS

Model	AOH105
Voltage	220-240V~
Frequency	50-60 Hz
Rated Power	850W-1000W

Our goods come with guarantees that cannot be excluded under the Australian Consumer Law. You are entitled to a replacement or refund for a major failure and compensation for any other reasonably foreseeable loss or damage. You are also entitled to have the goods repaired or replaced if the goods fail to be of acceptable quality and the failure does not amount to a major failure.

Contact for Kmart purchases	Contact for Target purchases
Kmart Australia Ltd. C/- Customer Service Centre 690 Springvale Road, Mulgrave Vic 3170 Customer Service: 1800 124 125 (Australia) or 0800 945 995 (New Zealand) or via Customer Help at kmart.com.au	Target Australia Pty Ltd C/- Customer Service Centre 2 Kendall Street, Williams Landing, Vic, 3027 Customer Service: 1300 753 567 or via Customer Help at target.com.au/ help/contact-us

anko



INSTRUCTION MANUAL

AOH105

WARNING!

TO REDUCE THE RISK OF FIRE, ELECTRIC SHOCK, OR PERSONAL INJURY, READ, UNDERSTAND AND FOLLOW INSTRUCTIONS BEFORE USING THIS HEATER

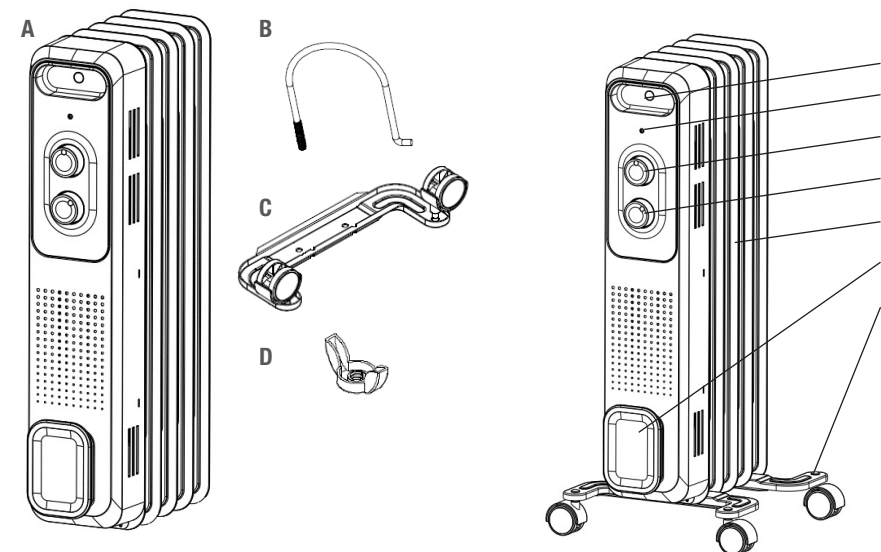
IMPORTANT SAFEGUARDS

- This heater becomes hot during operation. To avoid burns, do not let exposed skin come into contact with hot surfaces.
- Use the handles provided when moving this heater. Ensure combustible material, such as drapery and other furnishings, is always at least 1 metre from the heater.
- Unplug the heater when not in use.
- When in use, ensure, the power cord does not meet the heater body. Completely unwind the power cord before first time use.
- Do not twist or kink the power cord as this may cause the insulation to weaken and split.
- Do not operate the heater with a damaged power cord or plug, if the heater has malfunctioned, or has been dropped or damaged in any manner. Return the heater to an authorised service representative for examination.
- If the supply cord is damaged, it must be replaced by the manufacturer, its service agent or similarly qualified persons in order to avoid a hazard.
- This heater is designed only for indoor household use.
- Do not run the power cord under carpeting or cover the power cord with combustible material such as throw rugs runners.
- Keep the power cord away from traffic areas to avoid tripping hazards.
- Before inserting or removing the plug, switch the heater to the OFF position and turn the power off at the power outlet. Always remove the plug by holding the plug top. Do not pull the power cord.
- Do not insert or allow foreign objects to enter any ventilation or exhaust opening as this may cause an electric shock, fire, or damage to the heater.
- To reduce the risk of fire, do not cover fins in any manner.
- Do not use in areas where petrol, paint, or other flammable liquids are used or stored.
- The use of extension leads is not recommended. If this cannot be avoided, follow the manufacturer's instructions provided with the extension lead. Caution must be taken to not exceed the ratings marked on the extension lead.
- Do not use this heater with any device that switches the heater on automatically, such as a programmer or a timer, as a fire risk may exist if the appliance is covered or positioned incorrectly.
- To avoid a circuit overload when using this heater, do not operate another high-wattage product on the same electrical circuit. Make sure that your power outlet voltage and circuit frequency corresponds to the a.c. 220V-240V, 50Hz.
- Do not use the heater to dry clothes.
- To reduce the risk of fire, do not leave this heater unattended during use, especially when children or pets are present. Unplug the product from the power outlet when it is not in use.

- To eliminate a choking hazard for young children, remove and safely discard the protective cover fitted to the power plug of the heater, along with all packaging material and promotional labels.
- There are no user serviceable parts in the heater. Maintenance other than cleaning must be performed by an authorised service representative.
- For additional protection when using this product, you can install a residual current device (safety switch). A safety switch with a rated residual operating current not exceeding 30mA is recommended for installation in the electrical circuit supplying power to the heater. Contact a suitably qualified electrical contractor for advice.
- To avoid electric shock, do not touch this heater with any part of the body that is damp or wet.
- Do not use the heater if it has malfunctioned or become damaged in any way. When the heater is not in use, store in a cool dry location and take care not to damage the product. Do not store until the heater is cool.
- Place the heater on a firm, level, heat-resistant surface in a stable, upright position.
- For installation, please refer to ASSEMBLY INSTRUCTIONS section.

WARNING

- The heater must not be located immediately below a power outlet.
- Do not use this heater within the vicinity of a bath, shower, or swimming pool.
- This product must be connected to an earthed socket-outlet of a.c. 220V-240V, 50Hz.
- The heater is designed for indoor household use only.
- To avoid overheating, do not cover the heater. All items must be at least 1 metre from the top, bottom, front, sides, and rear of the heater.
- This appliance is not intended for use by persons (including children) with reduced physical, sensory, or mental capabilities, or lack of experience and knowledge, unless they are supervised or have been given instruction concerning the use of the heater by a person responsible for their safety.
- The heater is filled with a precise quantity of special oil. Repair requiring opening of the oil container must only be conducted by authorised service representative. If there is an oil leakage, the authorised service representative should be contacted.
- When disposing of the heater, please contact your local council for any special requirements regarding safe disposal of the oil.
- Do not use this heater in small rooms when they are occupied by persons not capable of leaving the room on their own, unless constant supervision is provided.
- To reduce the risk of fire, keep textiles, curtains, or any other flammable material a minimum distance of 1m from the heater.
- Children should be supervised to ensure that they do not play with the appliance.



COMPONENTS	
A	Heater Body
B	U-Shaped Bolts x 2
C	C-shaped Wheel Assembly x 2
D	Wing Nuts x 2

DIAGRAM	
1	Handle
2	Indicator Light
3	Thermostat Knob
4	Switch Knob
5	Heating Fins
6	Cord Storage
7	Wheel Assembly

ASSEMBLY INSTRUCTIONS

Do not operate the heater without the wheelbase assembly in place. The heater must always be used in an upright position. Remove any promotional material or any packaging from the heater. Please refer to the below figures as a reference for installation.

1. Ensure the heater is switched OFF and unplugged, all components listed above are present.
2. Turn the heater upside down.
3. Hook the U-shaped bolt around the circular joint between the control box fin and second fin (fig. a).
4. Insert the curved end of U-shaped bolt into one of the holes on the wheel assembly, then insert the threaded end of U-shaped bolt into the other hole on the wheel assembly. The C-shaped wheel assembly needs to have the opening facing outward (fig. b).
5. Use the wing nut provided to tighten and position securely, do not over tighten. (fig. c).
6. Repeat steps 3,4 and 5 to mount the wheel assembly on the rear of heater, it must be mounted between last two fins and with the wheel assembly facing out.
7. Fig. d shows the correctly mounted wheel assembly positions.

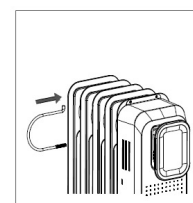


Fig. a

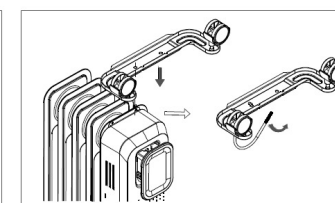


Fig. b

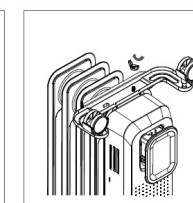


Fig. c

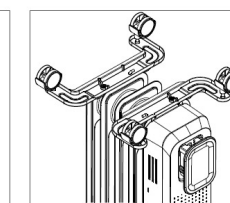


Fig. d