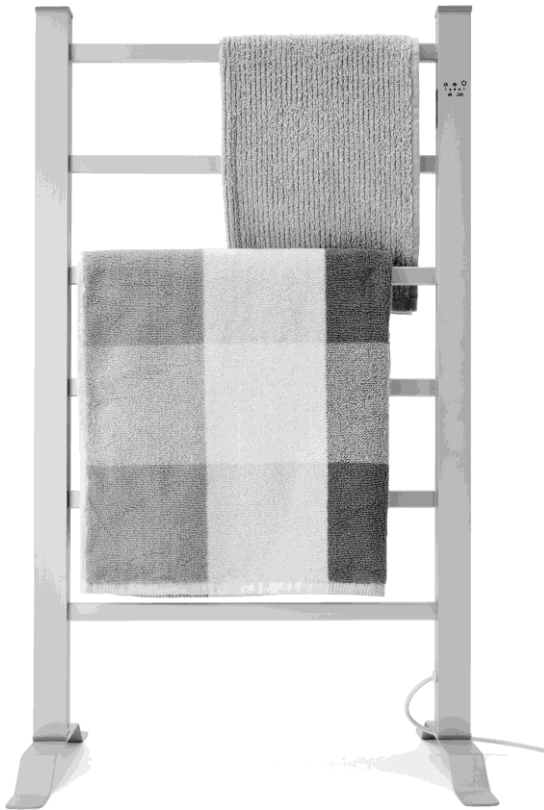


anko

TOWEL WARMER

KATH1260GY Instruction Manual



To ensure proper operation of this device, please read this instruction manual carefully before using the device and keep it for further reference.

GENERAL CARE AND SAFETY GUIDE

YOUR SAFETY IS IMPORTANT TO US. PLEASE ENSURE YOU TAKE NOTE OF THE INSTRUCTIONS AND WARNINGS OUTLINED IN THIS MANUAL.

When using electrical appliances, in order to reduce the risk of fire, electric shock, and/or injury to persons, basic safety precautions should always be followed, including:

- To protect against fire, electrical shock and injury to persons, do not immerse the unit, plug or cord in water or spray with liquids. Do not expose this appliance to rain or moisture.
- Never place the appliance where it may fall into a bathtub or other water container. Never position or use the unit in the immediate vicinity of water, such as a bathtub, shower, washbowl, swimming pool, etc.
- This appliance is suitable for indoor use only. Do not use outdoors. This product is not intended for commercial use.
- This product is designed to heat and dry towels and garments without a clothes hanger. Do not use the appliance for anything other than its intended use. Other use not recommended may cause fire, electric shock or injury.
- Do not put heavy or more than 5 kg textiles on the towel warmer. Do not put the comforter or other similar textiles to cover the whole product surface to avoid high temperature inside.
- This appliance is intended to be connected to a suitable AC 220-240V~50Hz grounded power outlet only.
- This appliance is not intended for use by persons (including children) with reduced physical, sensory or mental capabilities, or lack of experience and knowledge, unless they have been given supervision or instruction concerning use of the appliance by a person responsible for their safety.
- Children should be supervised to ensure that they do not play with the appliance. Extreme caution is necessary when the appliance is used near children or invalids and whenever it is left operating and unattended.

- This product is not equipped with a unit for controlling the room temperature. The product must not be used in small rooms inhabited by persons who cannot leave the room independently, unless continuous monitoring is guaranteed.
- Always make sure the electrical socket is accessible and located adjacent to, but not above the appliance.
- Do not misuse the power cord. Never carry the appliance by the power cord or pull to disconnect it from the outlet. Instead, grasp the plug and pull to disconnect.
- Never wrap the power cord around the product. Arrange the power cord away from traffic areas where it will not be tripped over. Never route the power cord over hot surfaces and/or sharp edges. Take care to ensure that the power cord is not bent, twisted or wedged.
- Never use the product close to or below curtains or other combustible materials.
- For the details of installation, please refer section "INSTALLATION".
- This appliance is not intended to be operated by means of an external timer or separate remote- control system.
- Do not use any accessories/tools other than those supplied with the product.
- Do not store flammables like gasoline, benzene, thinner etc. near the appliance. If a gas leak occurs, ventilate the room well before operating the appliance. Doing so may cause an explosion or fire. Do not use it in areas near gasoline, paints, or flammable liquids.
- Do not use extension cords or a power board.
- Never operate the appliance with a damaged cord or plug, after a malfunction or if it is not working normally, dropped or damaged in any way. Appliances that are obviously damaged must not be operated.
- Do not attempt to repair, disassemble or modify the appliance. There are no user-serviceable parts. Repairs should only be performed by qualified personnel.
- If the supply cord is damaged, it must be replaced by the manufacturer, its service agent or similarly qualified persons in order to avoid a hazard.

- Never stand, sit on or hang on the Towel Warmer unit.
- Never place your Towel Warmer inside a shower, sauna or steam room.
- Never overload the Towel Warmer as it will cause the unit to become extremely hot and may result in a burn if touched.
- To avoid a hazard the towel warmer must not be used to hold towels or any other articles that have been in contact with oil, petroleum based products or dry cleaning fluids.

WARNING:

Pay attention! Some parts of the product may become very hot and can cause burns. Special care should be taken when children and vulnerable persons are present.

This appliance is intended only for drying textiles washed in water. Fabrics that contain soap or detergent residue may show what appears to be scorch marks. However, this is simply the discoloration of the residue. The heated towel warmer does not reach sufficient temperature to scorch fabric.

In order to avoid a hazard for very young children, this appliance should be installed so that the lowest heated rail is at least 600mm above the floor.

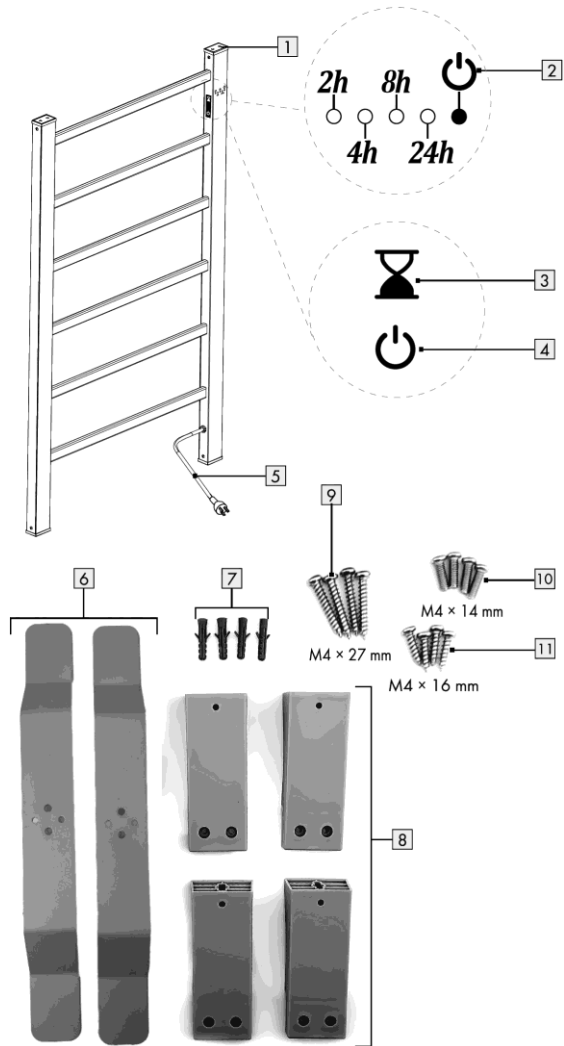
The product must also be installed in a way that prevents anyone in the bath or shower from being able to touch the switch.

We shall not be liable for discoloration or other damage to any item regardless of circumstance. To reduce the possibility of damage, do not place any items other than towels directly on the heated towel warmer – always have a completely protective layer of towels between the heated towel warmer and any other item.

No liability is accepted for consequential damage! In the case of material damage or personal injury caused by incorrect handling or non-compliance with the safety instructions, no liability is accepted!

SAVE THESE INSTRUCTIONS

OVERVIEW OF THE TOWEL WARMER



- | | | | |
|----|----------------------------|-----|---------------------------|
| 1. | Towel Holder | 7. | Plastic anchor |
| 2. | LED indicator lights | 8. | Wall bracket |
| 3. | ⌚ Timer button | 9. | Screw (M4 x 27mm, pointy) |
| 4. | ⏻ On/Off switch | 10. | Screw (M4 x 14mm, blunt) |
| 5. | Power cord with power plug | 11. | Screw (M4 x 16mm, pointy) |
| 6. | Foot | | |

INSTALLATION

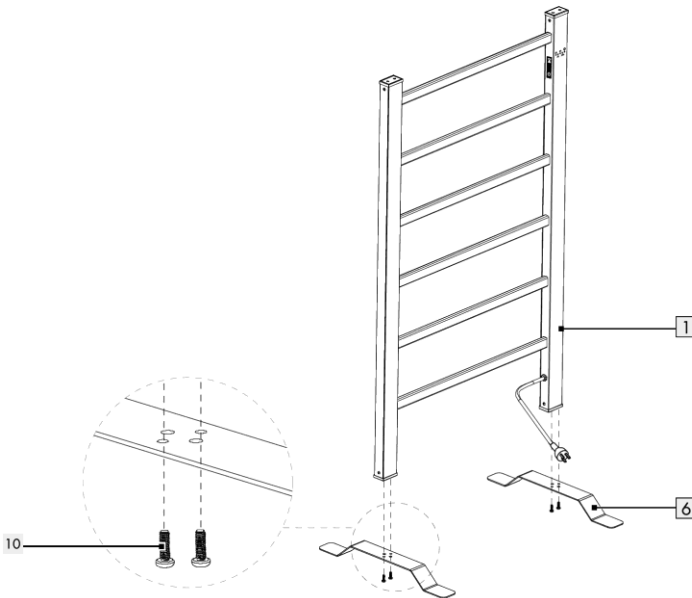
WARNING: DO NOT connect the appliance to the mains voltage until it is fully installed in the desired location.

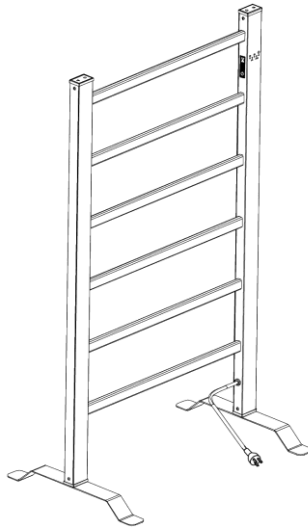
Check that the installation location has access to a socket-outlet. If it does not, please contact a licensed electrician to arrange the installation of the socket outlet before continuing. **WARNING:** The socket-outlet must be located so that they cannot be touched by persons in the bath or shower.

A. Free-standing

The appliance should be assembled with feet before using. Attach the feet (6) to the underside of the tower holder (1) with 2 screws (M4 x 14mm, blunt) (10) each.

Select a suitable location indoors adjacent to a power outlet. This towel warmer must be placed on a hard, level, heat resistant surface and operated in the upright position.



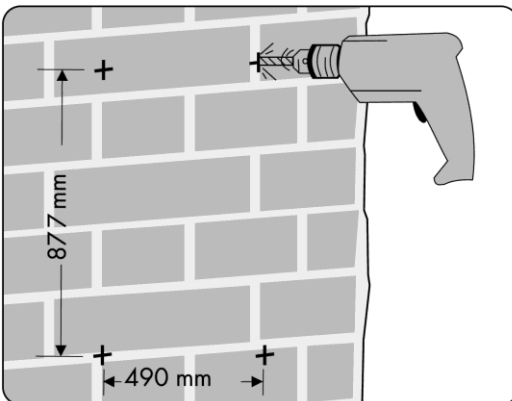


B. Wall-mounting

DANGER! Risk of death personal injury and damage to property! Read your drill's operating and safety instructions carefully.

DANGER! Risk of fatal injury! Avoid hitting electricity, gas or water pipes when drilling into the wall. If necessary, check with a cable detector before drilling into a wall.

WARNING: Select the appropriate screws and anchors for different type of wall before installation. Ensure the wall type can handle the weight of the rack and the maximum weight of the towel. Consult qualified personnel if necessary.

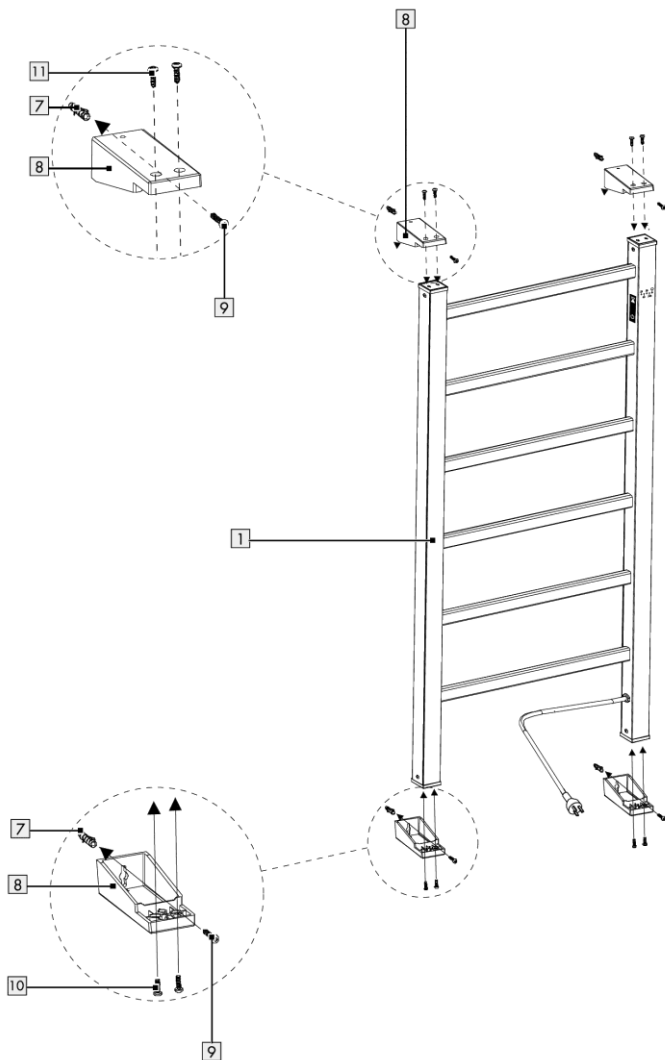


1. Mark the position of the drill holes on the wall (see above illustration).
2. Drill 4 holes (Ø6mm) into the wall.
3. Insert the plastic anchors (7) into the drill holes.
4. Turn 1 screw (M4 x 27mm, pointy) (9) into each plastic anchor (7). Let the screw head protrude approx. 5mm from the wall.
5. Attach 2 wall brackets (8) to the top of the towel holder (1) with 2 screws (M4 x 16mm, pointy) (11) each.
6. Attach 2 wall brackets (8) to the underside of the towel holder with 2 screws (M4 x 14mm, blunt) (10) each.
7. Mount the towel holder (1) with the wall brackets (8) onto the screws (M4 x 27mm, pointy) (9) previously turned into the wall and push it down to secure that the screw heads enter into the slots on wall brackets. Check and ensure that the towel warmer is fixed securely on wall.

WARNING: In order to avoid a hazard for very young children, this appliance should be installed so that the lowest heated rail is at least 600mm above the floor.

WARNING: When using the appliance as a wall mount, the trademark and model number shall all be visible after installation.

WARNING: To prevent strangulation and shock hazard to children, the flexible wiring connected to this appliance shall be effectively fixed to the wall.



OPERATION OF THE TOWEL WARMER

1. Remove cable tie and unravel the power cord before operation. Ensure that the Towel Warmer has been securely and correctly installed.
2. Connect the power plug (5) to a suitable AC 220-240V~50Hz grounded power outlet. All LED indicator lights illuminate for 2 seconds once the power is connected correctly. The power LED indicator light will illuminate red to indicate that the product is in standby mode.
3. Switching on: Press the on/off switch (4) or the timer button (3) to turn on the appliance. The power LED indicator light will illuminate green to indicate that the product is under heating.
4. Setting the timer: Press the timer button (3) repeatedly to set your desired timer duration 2h/4h/8h/24h or timer off. The corresponding LED indicator light will illuminate green and flash once every 3 seconds to indicate the remaining time of heating. When the set time has elapsed, the towel warmer automatically stops and enters standby mode.

NOTE: To deactivate the timer and operate the towel warmer in continuous heating mode, press the timer button repeatedly until the timer LED indicator lights (2h/4h/8h/24h) extinguish.

5. Switching off: Press the on/off switch (4) to turn the appliance to standby mode after use. The power LED indicator light illuminates red. Unplug it from the mains outlet if you are not going to use the product for a long period of time.

NOTE: The outside surface of the Towel Warmer is hot when in use or immediately after use. Please take care when you are using this appliance. Avoid touching hot surfaces.

CARE AND CLEANING

Always turn off the appliance and unplug it from power outlet before cleaning.

Always ensure the product has cooled completely before cleaning.

Clean the exterior surfaces of the Towel Warmer with a soft, slightly damp cloth.

Never use any form of detergents or solvents to clean the appliance.

Store the appliance in cool dry location when not in use. Do not store until the appliance has cooled down.

WARNING: NEVER immerse the appliance, power cord and plug in water or any liquid while cleaning and never allow water to drip into the appliance.

DISPOSAL

Do not dispose of packaging or the product through your household waste!

The product and packaging are made from recyclable materials (plastics, metals, paper).

If the product is no longer suitable for use, dispose of it in an environmentally friendly manner in accordance with your local council.

TECHNICAL SPECIFICATIONS

Power Supply: AC 220-240V ~ 50Hz

Power Consumption: 90W

Protection Class: Class I

Waterproof Grade: IP22

Length of power cord: 1.5m

Weight: 1.74kg

NOTE: As a result of continual improvements, the design and specifications of the product within may differ slightly to the unit illustrated on the packaging.

12 Month Warranty

Thank you for your purchase.

Your new product is warranted to be free from defects in materials and workmanship for the period stated above, from the date of purchase, provided that the product is used in accordance with accompanying recommendations or instructions where provided. This warranty is in addition to your rights under the Australian Consumer Law.

For New Zealand customers, this warranty is in addition to statutory rights observed under New Zealand legislation.

We will provide you with your choice of a refund, repair (where possible) or exchange (availability dependent) for this product if it becomes defective within the warranty period. The business will bear the reasonable expense of claiming the warranty.

This warranty will no longer apply where the defect is a result of alteration, accident, misuse, abuse or neglect.

Please retain your receipt as proof of purchase and contact our Customer Service Centre as listed below, for the entity you purchased this product from, for any difficulties with your product. Warranty claims and claims for expense incurred in returning this product can be addressed to the respective Customer Service Centre.

Our goods come with guarantees that cannot be excluded under the Australian Consumer Law. You are entitled to a replacement or refund for a major failure and compensation for any other reasonably foreseeable loss or damage. You are also entitled to have the goods repaired or replaced if the goods fail to be of acceptable quality and the failure does not amount to a major failure.

Contact for Kmart purchases	Contact for Target purchases
Kmart Australia Ltd. C/- Customer Service Centre 690 Springvale Road, Mulgrave Vic 3170 Customer Service: 1800 124 125 (Australia) or 0800 945 995 (New Zealand) or via Customer Help at kmart.com.au	Target Australia Pty Ltd C/- Customer Service Centre 2 Kendall Street, Williams Landing, Vic, 3027 Customer Service: 1300 753 567 or via Customer Help at target.com.au/help/contact-us



Cat. No. KATH1260GY
December 2024