

Assembly Instructions

43512959 WHITE KITCHEN TROLLEY









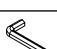
CARE INSTRUCTIONS:










WIPE CLEAN WITH A SOFT DAMP CLOTH. DO NOT USE SCOURERS, ABRASIVES OR CHEMICAL SOLVENTS. CHECK AND TIGHTEN ALL PARTS REGULARLY. STORE IN A DRY PLACE AND KEEP AWAY FROM DIRECT WATER AND SUNLIGHT. FOR INDOOR AND DOMESTIC USE ONLY.

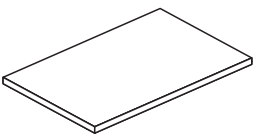

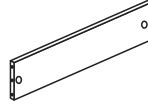
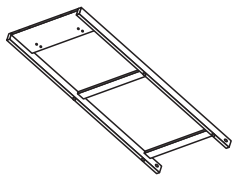
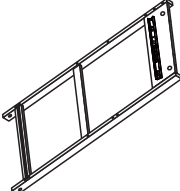
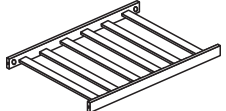

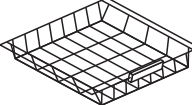

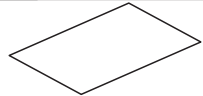
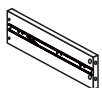
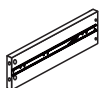
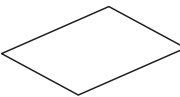
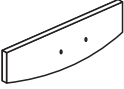
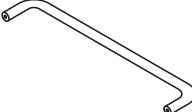
WARNING:

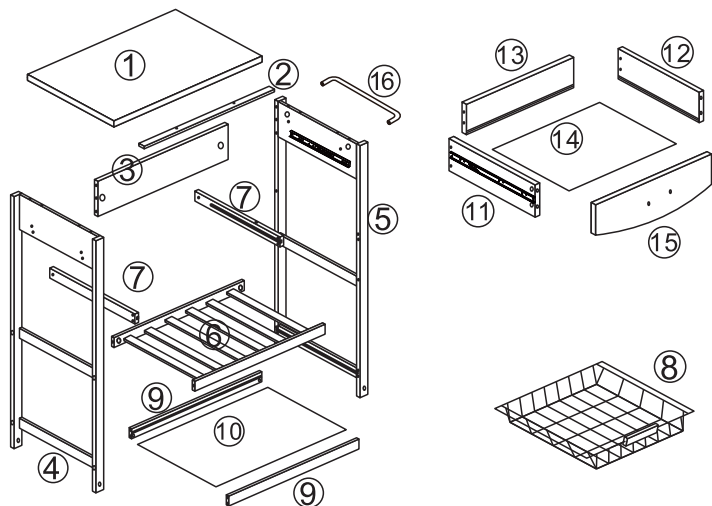
DO NOT STAND ON THE BENCH. DO NOT USE THE BENCH AS A STEP LADDER. DO NOT USE THE BENCH UNLESS ALL BOLTS AND SCREWS ARE FIRMLY SECURED. DO NOT DRAG WHEN MOVING THE BENCH TO AVOID DAMAGING THE JOINTS. FAILURE TO FOLLOW THESE WARNINGS COULD RESULT IN SERIOUS INJURY. THIS PACKAGE CONTAINS SMALL PARTS AND SHARP POINTS. KEEP AWAY FROM CHILDREN AND BABIES UNTIL ASSEMBLY IS COMPLETE. ADULT ASSEMBLY REQUIRED.

MAXIMUM SAFE LOAD: 15KGS FOR TOP PANEL 3KGS FOR DRAWER, 5KGS FOR SLOTTED SHELF 5KGS FOR WIRE BASKET, 5KGS FOR BOTTOM SHELF, 1KGS FOR METAL HOOK, 1KGS FOR TOWEL RACK.

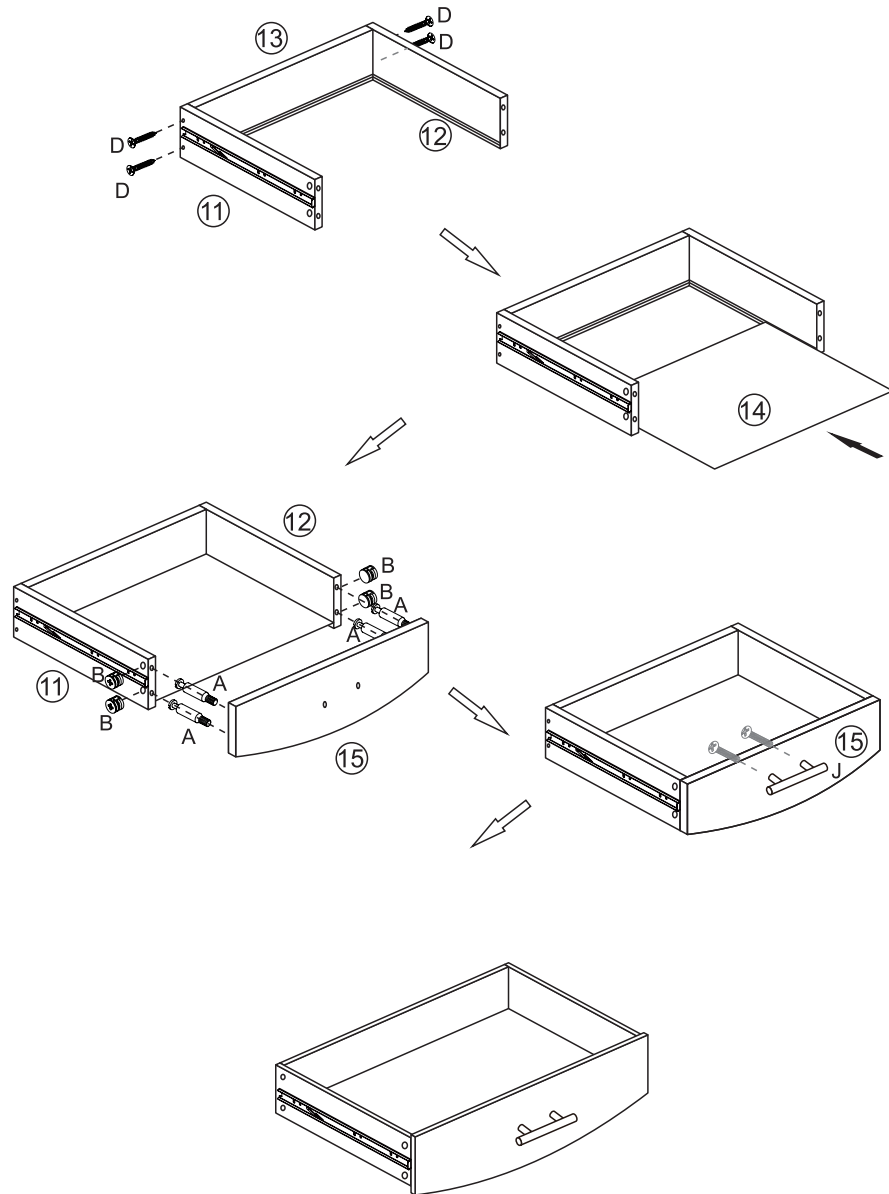
	A	∅6x35mm	10PCS
	B		10PCS
	C	∅6x30mm	12PCS
	D	∅4x30mm	12PCS
	E	∅6x70mm	8PCS
	F		8PCS
	G	∅3x14mm	4PCS
	H	∅3x30mm	2PCS
	I		1PC

	J		1PC
	K		2PCS
	L		2PCS
	M	∅6x30mm	4PCS
	N		2PCS
	O		4PCS
	P		8PCS
	Q		1PC
	R		2PCS

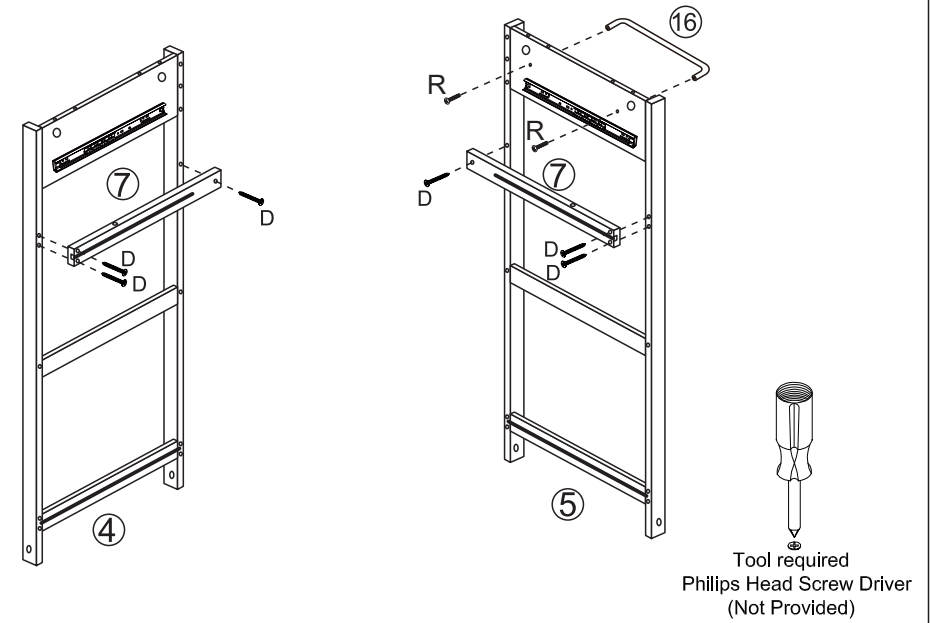
					
①	1PC	②	1PC	③	1PC
					
④	1PC	⑤	1PC	⑥	1PC
					
⑦	2PCS	⑧	1PC	⑨	2PCS
					
⑩	1PC	⑪	1PC	⑫	1PC
					
⑭	1PC	⑮	1PC	⑯	1PC



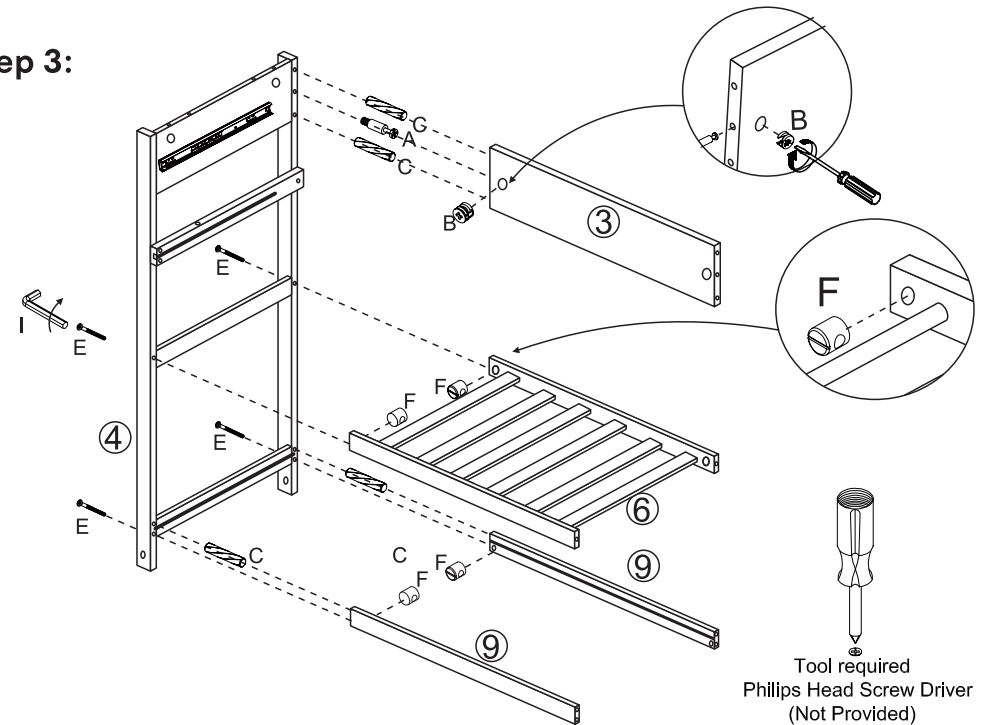
Step 1:



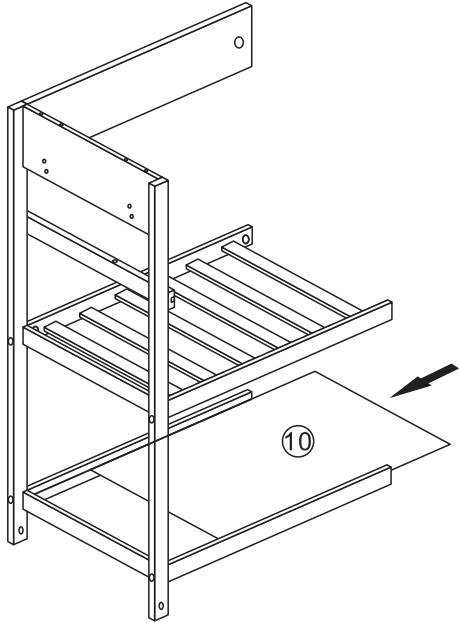
Step 2:



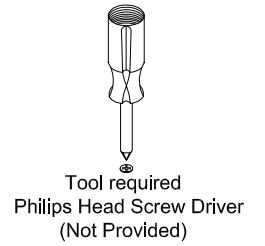
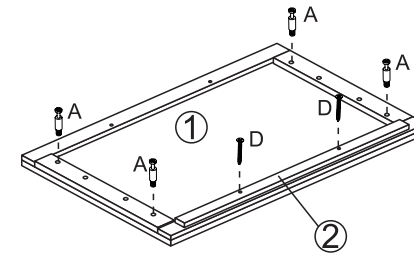
Step 3:



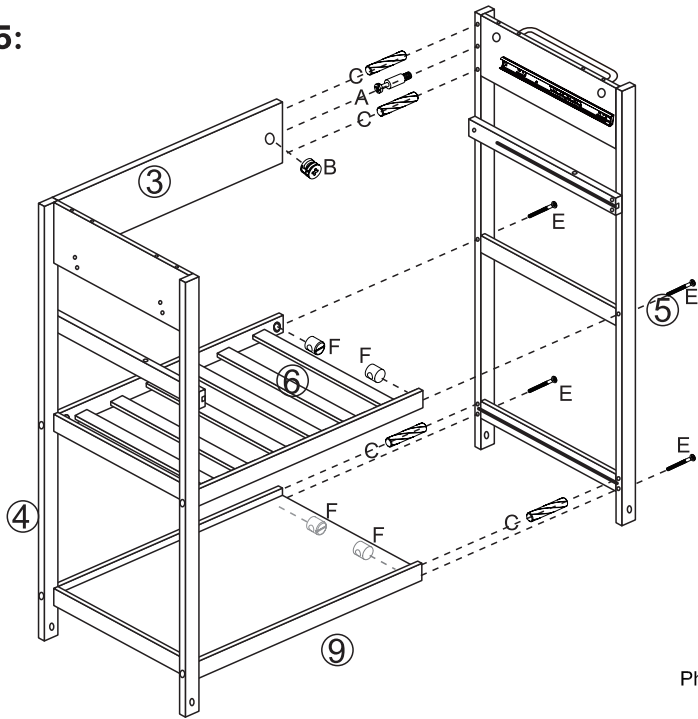
Step 4:



Step 6:

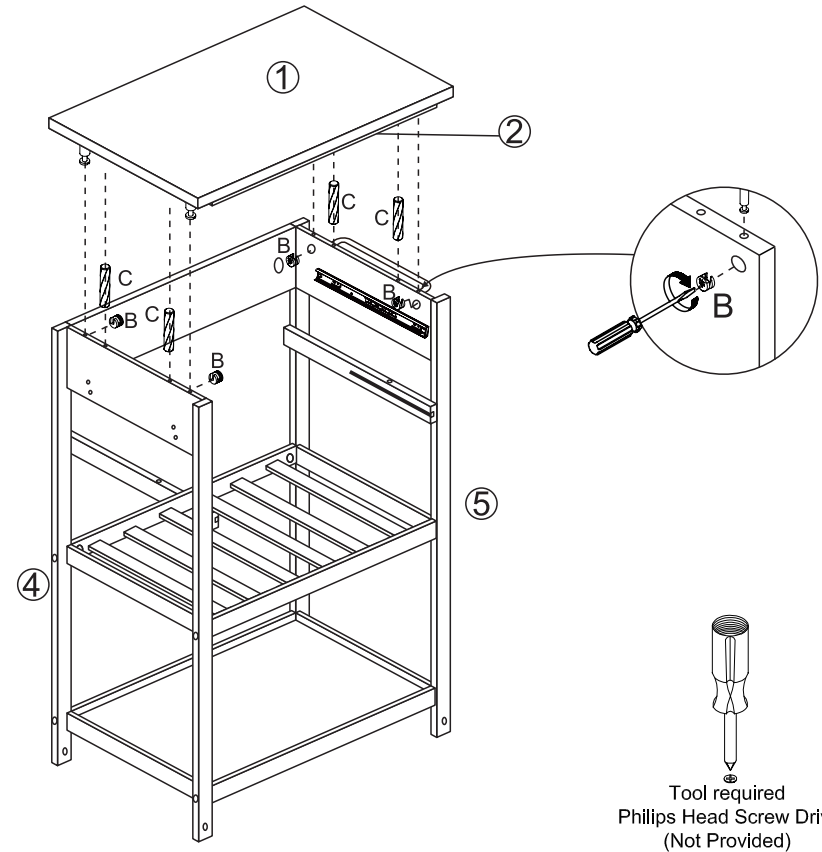


Step 5:



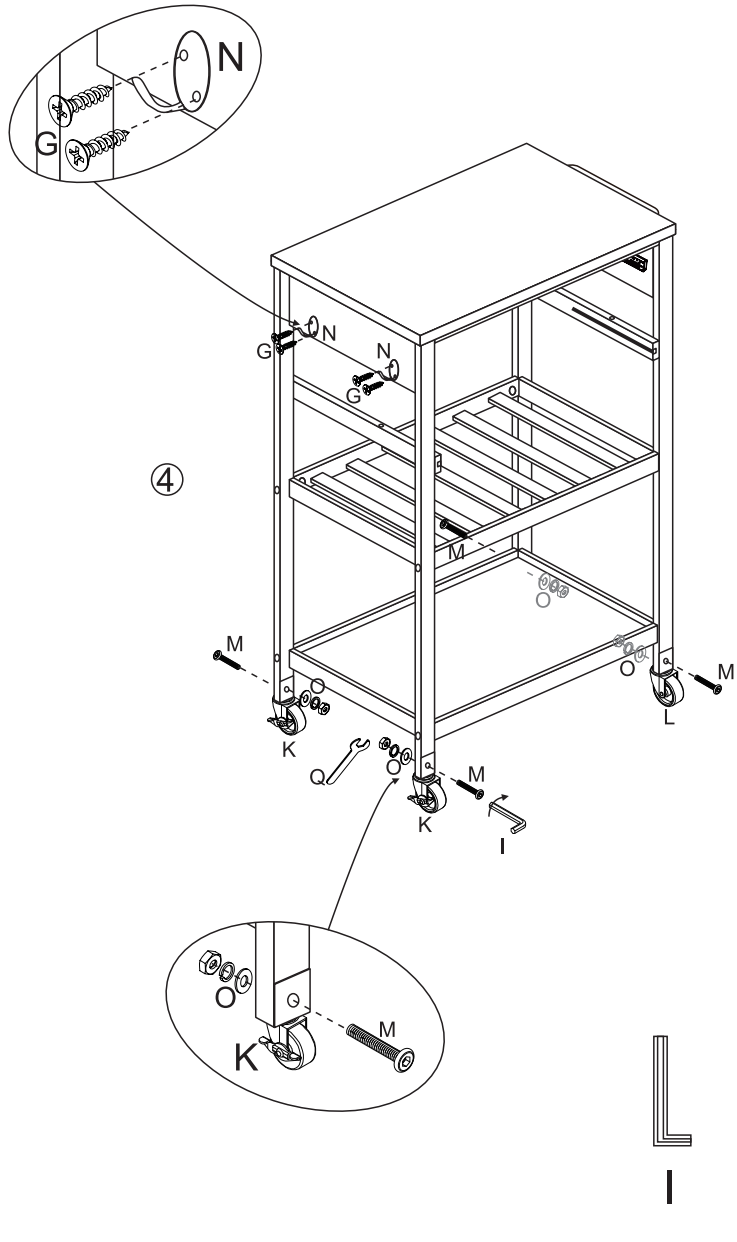
Tool required
Philips Head Screw Driver
(Not Provided)

Step 7:

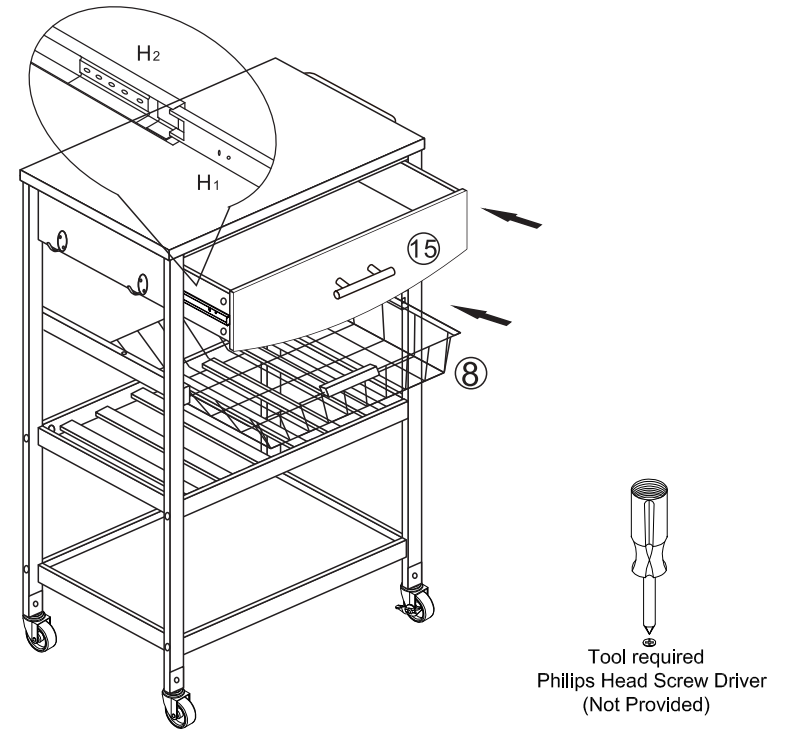


Tool required
Philips Head Screw Driver
(Not Provided)

Step 8:



Step 9:



Step 10:

