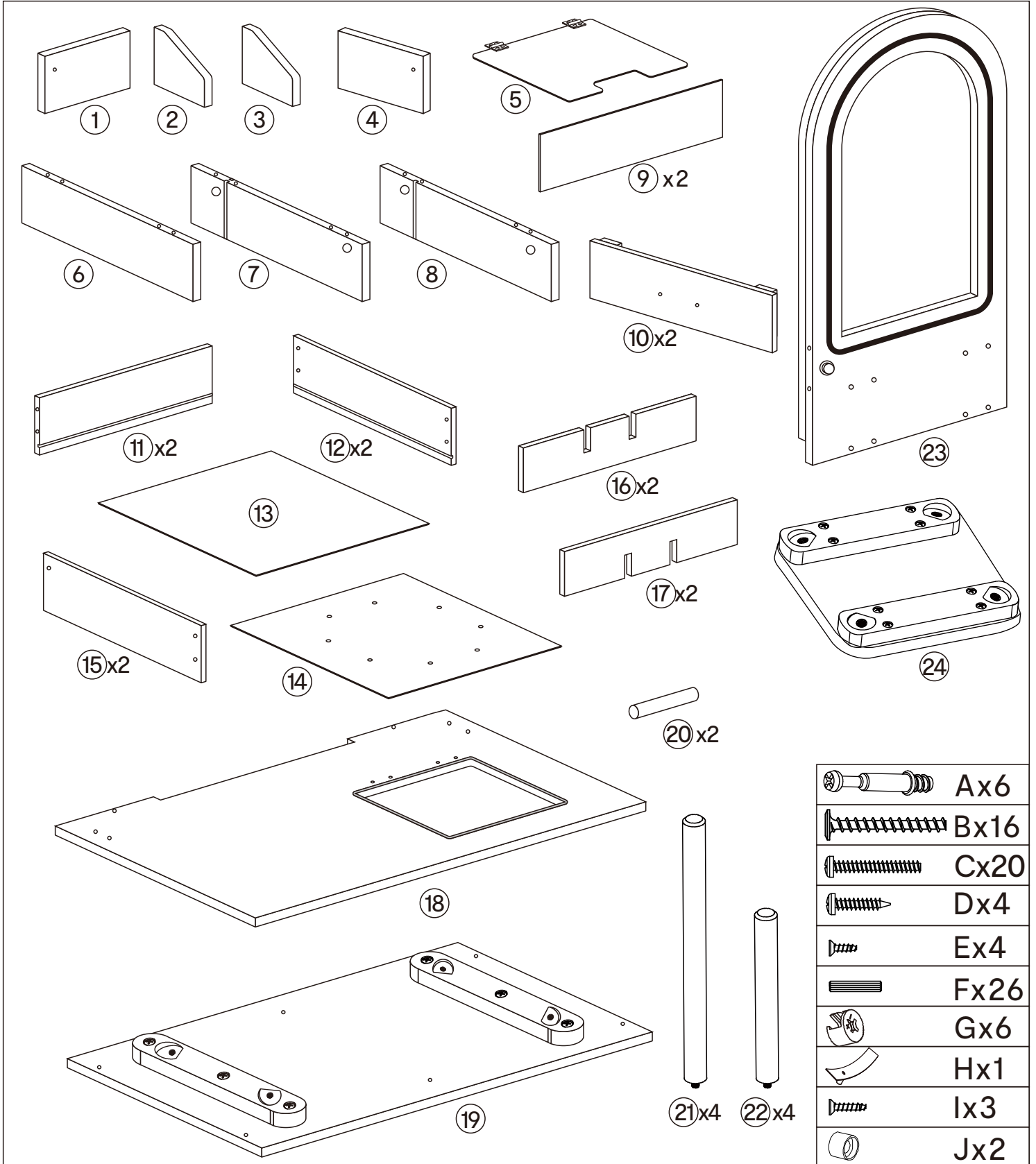


Assembly Instructions for Light Up Vanity

3+ years

K: 43513741 | T: 70653366



CAUTION

ADULT ASSEMBLY IS REQUIRED. UNASSEMBLED PARTS CONTAIN SCREWS WITH FUNCTIONAL SHARP POINTS. PLEASE KEEP UNASSEMBLED PARTS AWAY FROM SMALL CHILDREN. THIS ITEM IS FOR ROLE PLAY ONLY. PLEASE USE AS INTENDED.

CAUTION: PLEASE CHECK CONDITION OF ITEM REGULARLY, AS SCREWS MAY LOOSEN WITH USE OVER TIME. TIGHTEN SCREW FITTINGS IF NECESSARY. DISCONTINUE USE OF THE ITEM IF EXCESSIVE WEAR & TEAR IS FOUND.

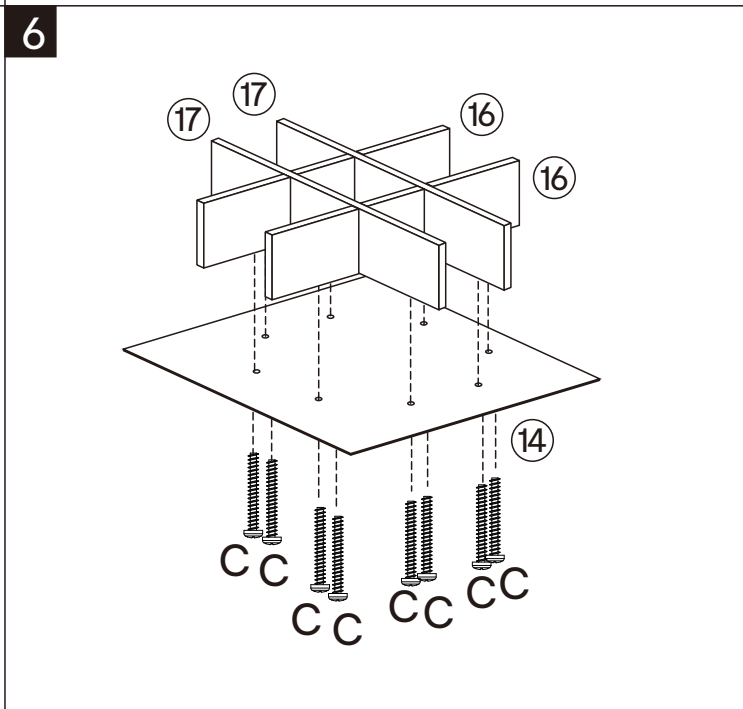
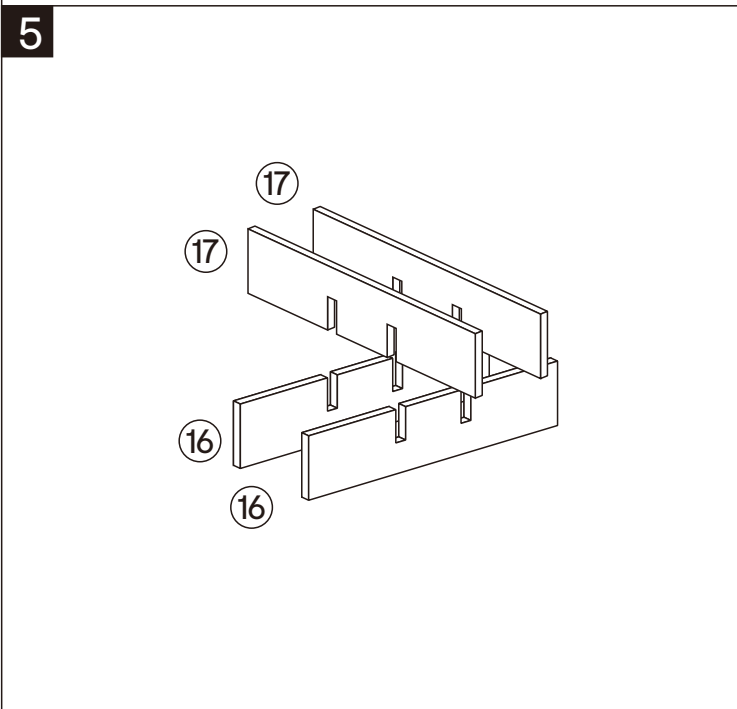
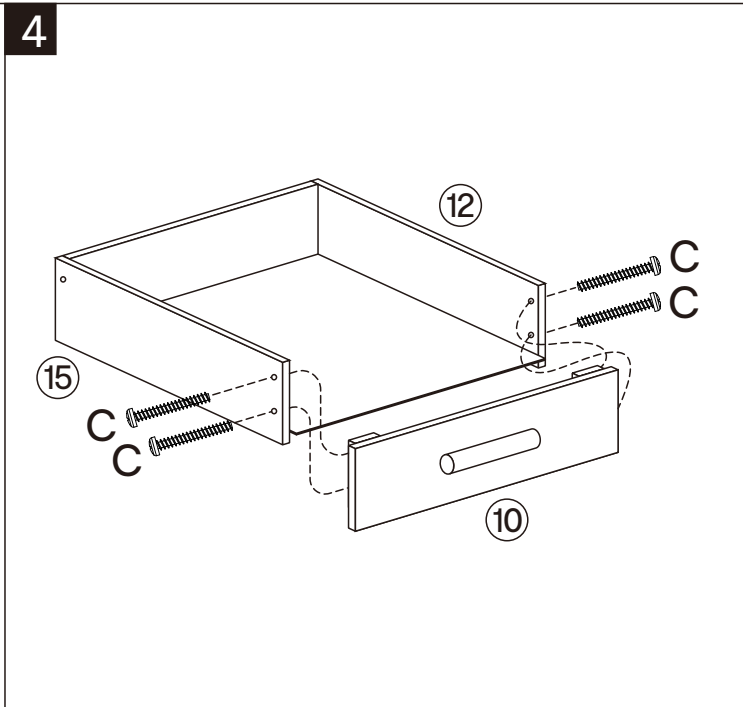
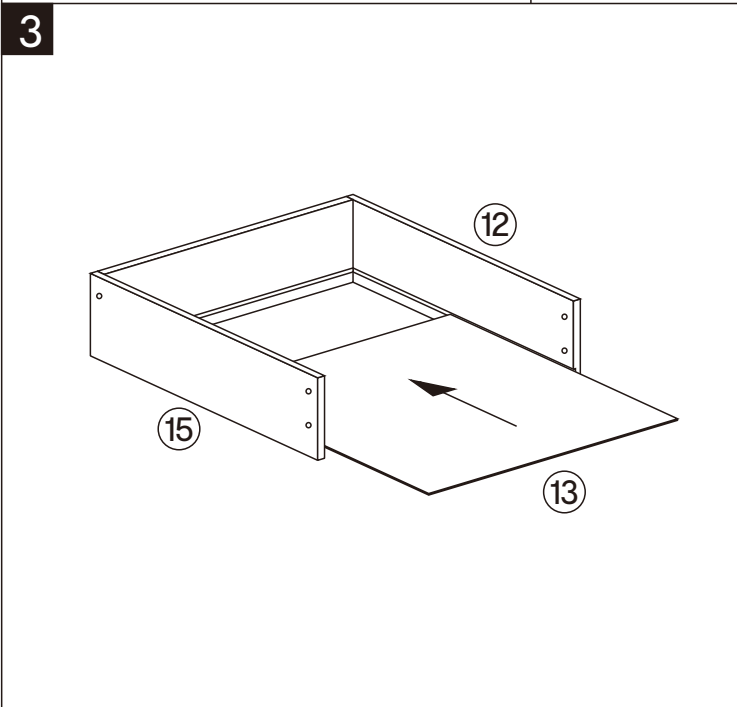
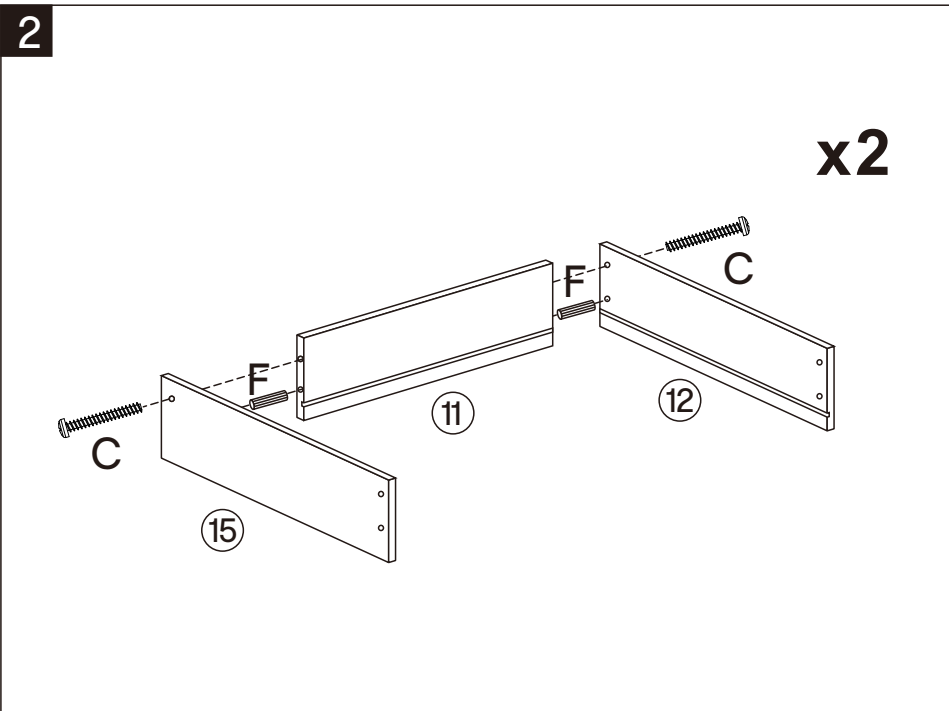
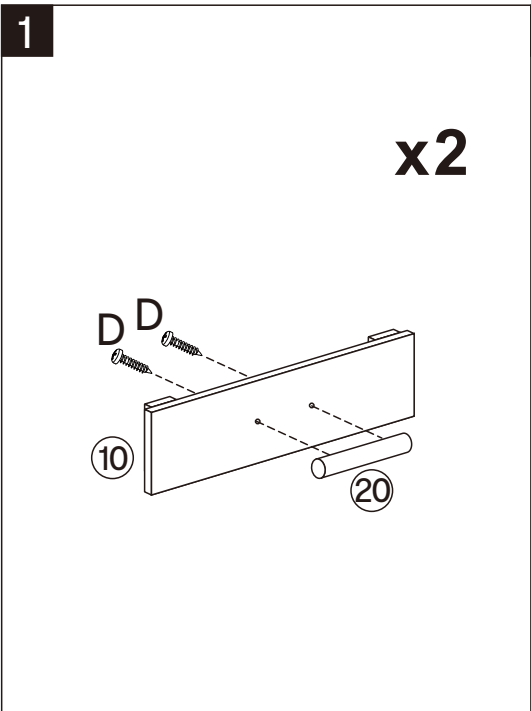
WARNING: THIS INSTRUCTION MANUAL HAS TO BE KEPT SINCE IT CONTAINS IMPORTANT INFORMATION.

WARNING: BATTERIES ARE TO BE INSERTED WITH THE CORRECT POLARITY (+ and -). DO NOT MIX DIFFERENT TYPES OF BATTERIES OR NEW AND USED BATTERIES. NON-RECHARGEABLE BATTERIES ARE NOT TO BE RECHARGED. RECHARGEABLE BATTERIES ARE ONLY TO BE CHARGED BY AN ADULT. RECHARGEABLE BATTERIES ARE TO BE REMOVED FROM THE TOY BEFORE BEING CHARGED. THE SUPPLY TERMINALS ARE NOT TO BE SHORT-CIRCUITED. REMOVE BATTERIES FROM THE TOY WHEN NOT IN USE FOR EXTENDED TIME OR WHEN BATTERIES BECOME EXHAUSTED. BATTERY INSTALLATION BY AN ADULT IS REQUIRED. DISPOSE OF BATTERIES RESPONSIBLY. DO NOT DISPOSE OF IN FIRE.

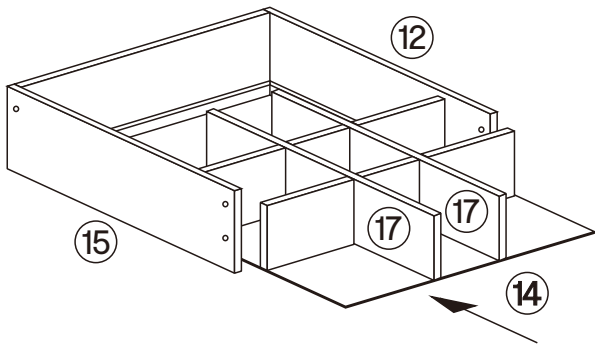
WARNING: DISPOSE OF USED BATTERIES IMMEDIATELY. KEEP NEW AND USED BATTERIES AWAY FROM CHILDREN IF YOU THINK BATTERIES MIGHT HAVE BEEN SWALLOWED OR PLACED INSIDE ANY PART OF THE BODY, SEEK IMMEDIATE MEDICAL ATTENTION.

WARNING
CHOKING HAZARD-SMALL PARTS.
NOT SUITABLE FOR CHILDREN UNDER 3 YEARS.

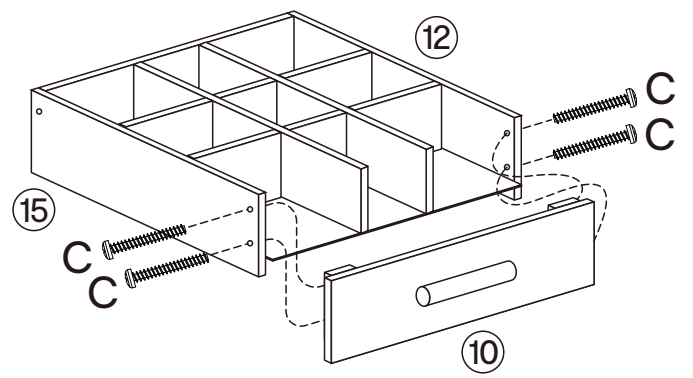
WARNING: DO NOT STAND ON THE STOOL. DO NOT STAND OR SIT ON THE TABLE. DO NOT USE THE PRODUCT AS A STEP LADDER. DO NOT USE THE PRODUCT UNLESS ALL BOLTS, SCREWS AND KNOBS ARE FIRMLY SECURED. CHECK AND TIGHTEN ALL PARTS REGULARLY. MAXIMUM SAFE LOAD FOR STOOL: 30kg. MAXIMUM SAFE LOAD FOR TABLE: 5kg.



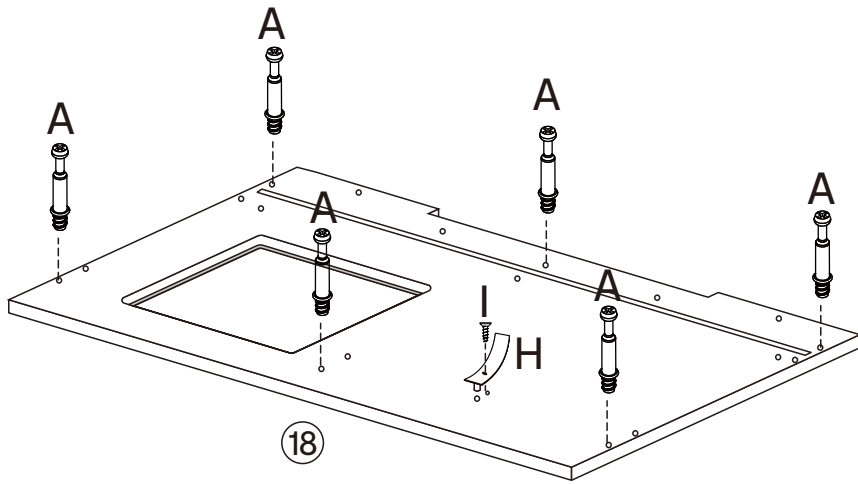
7



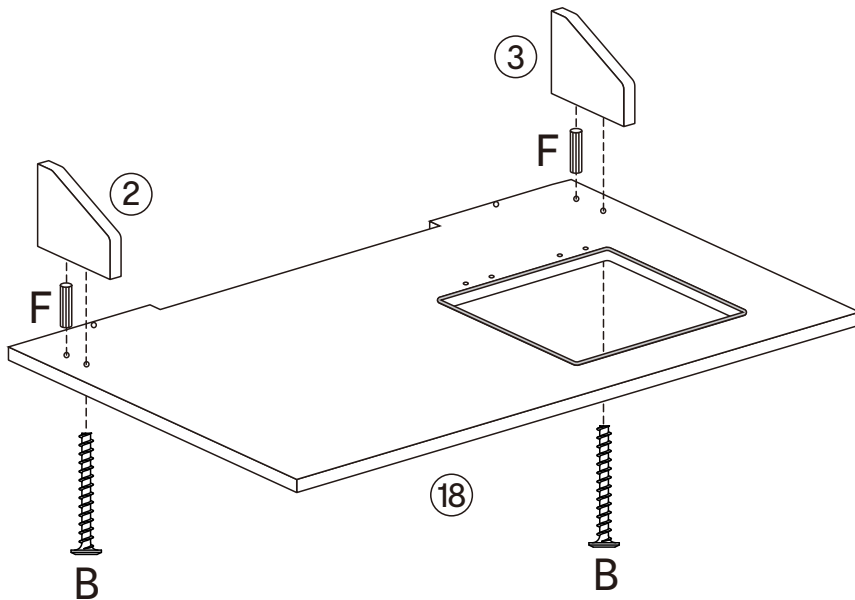
8



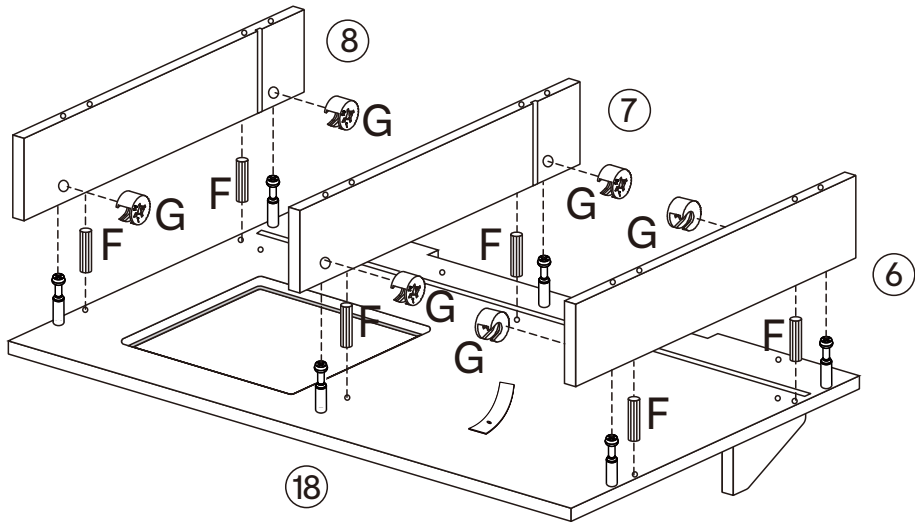
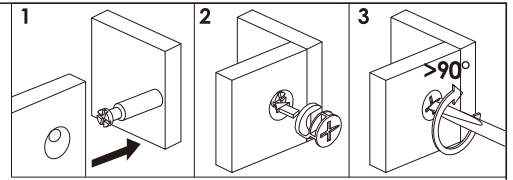
9



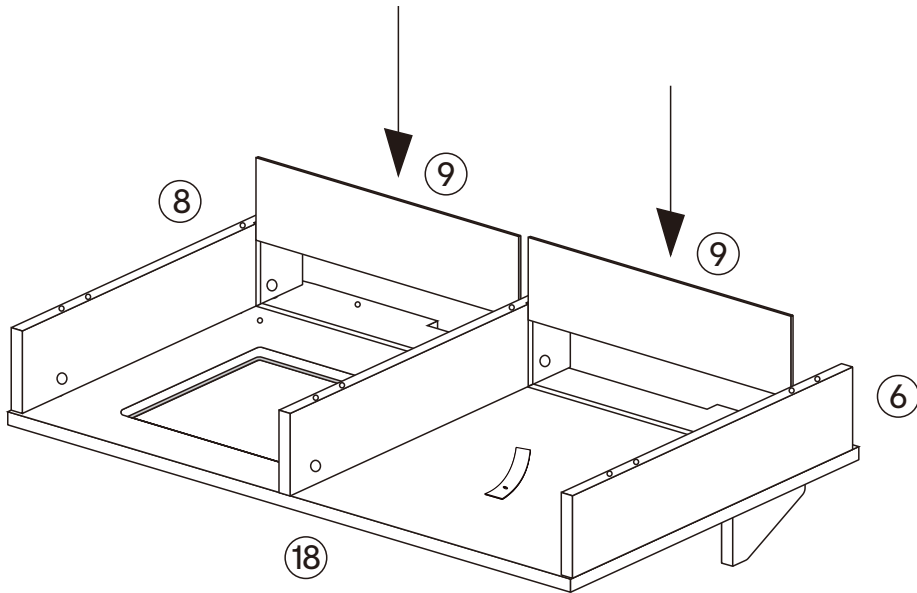
10



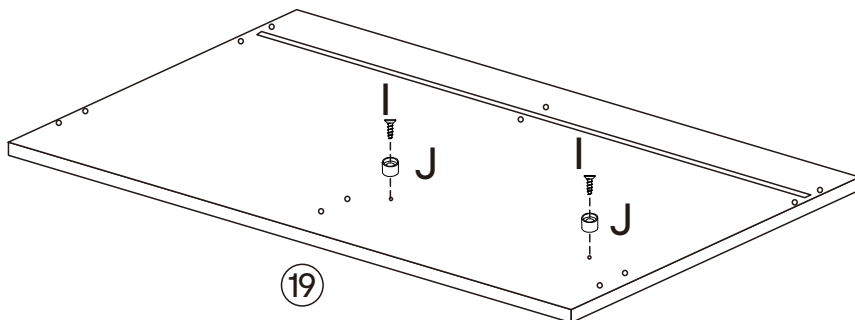
11



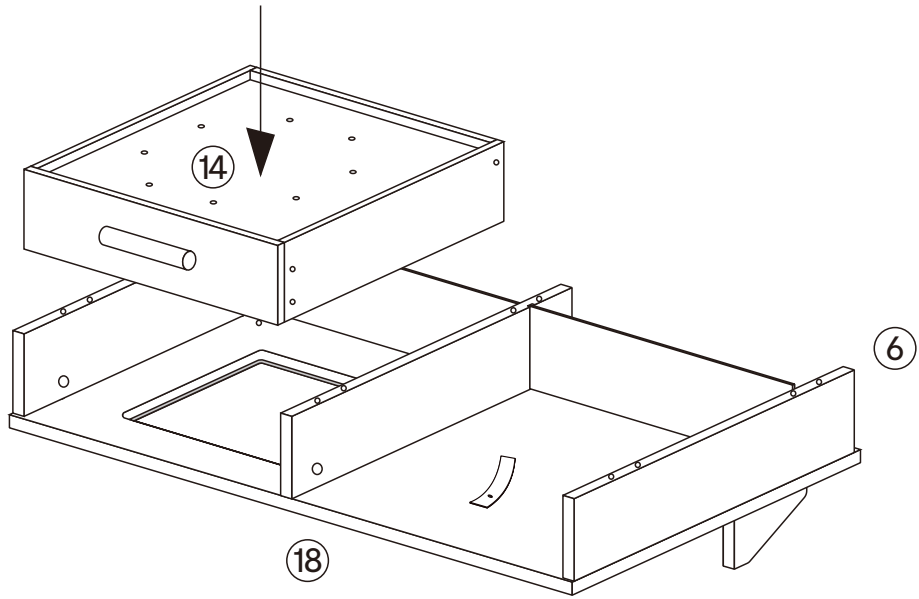
12



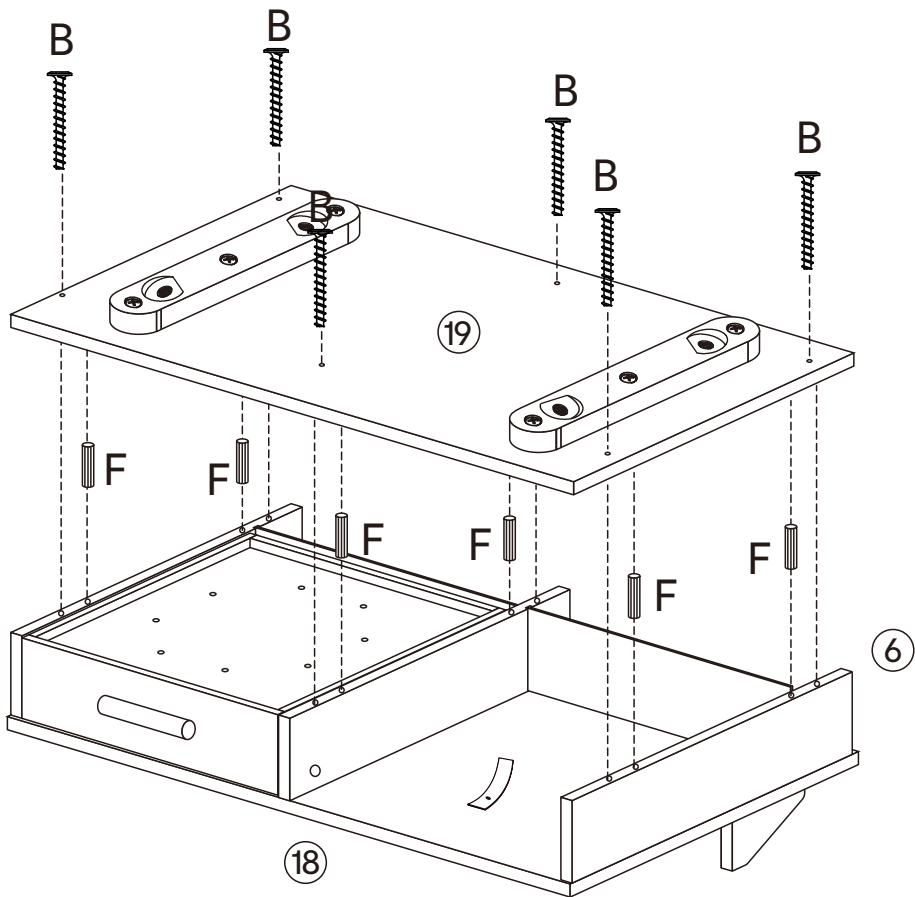
13



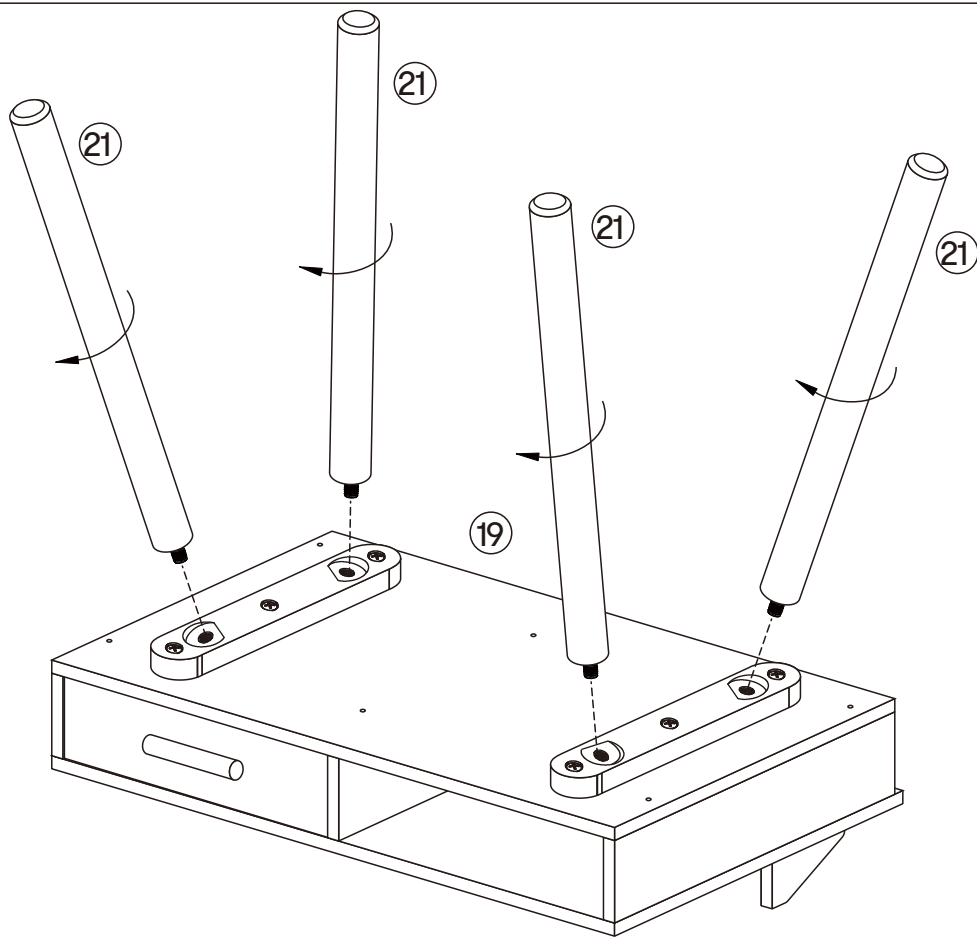
14



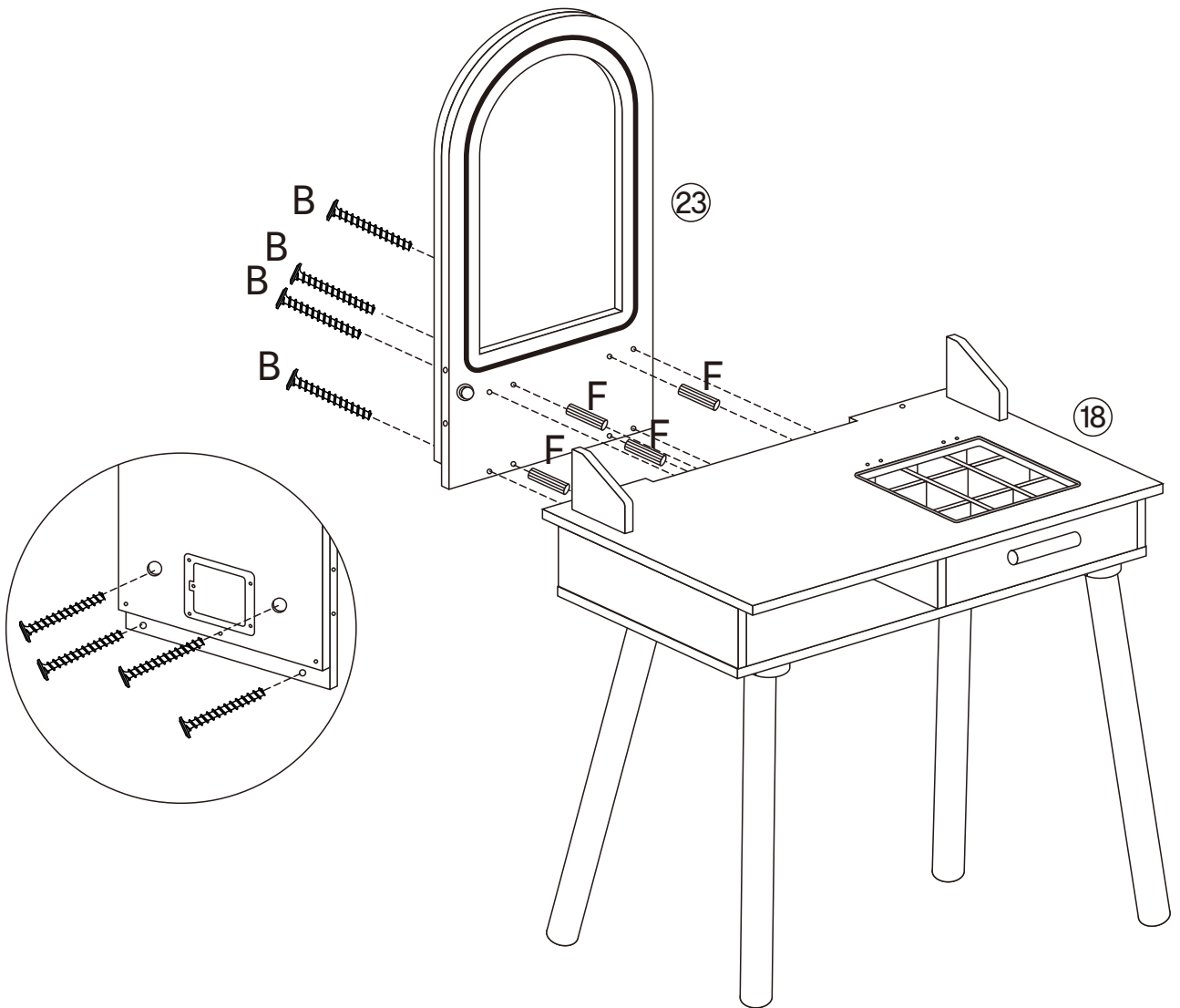
15

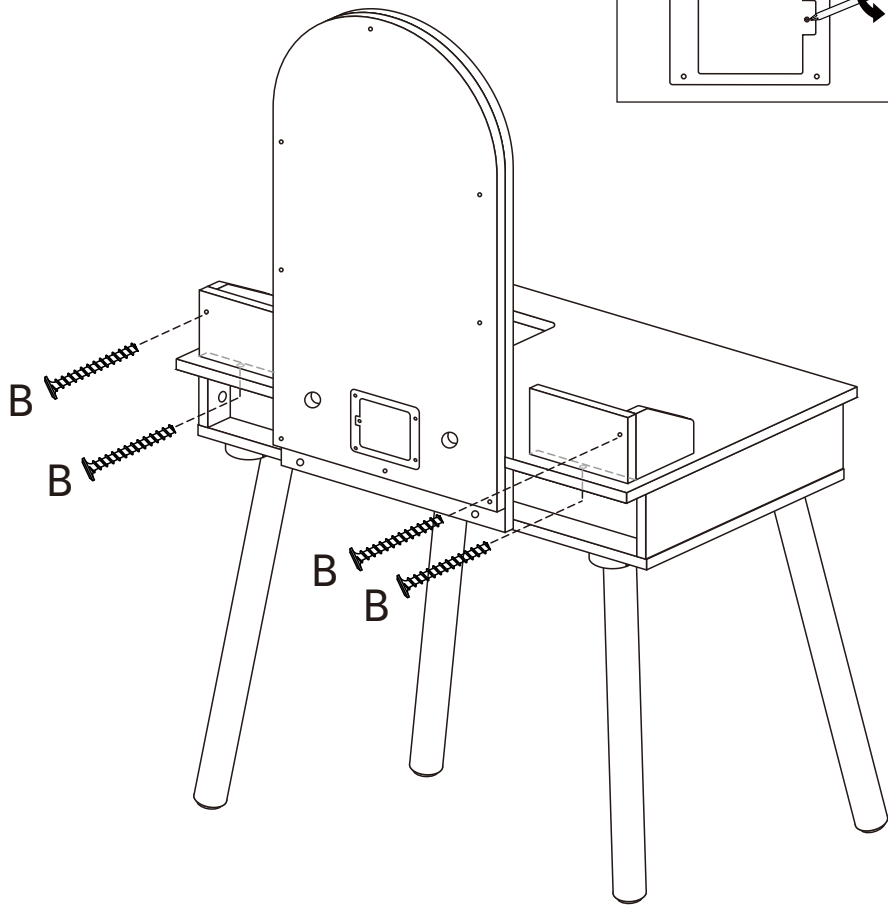
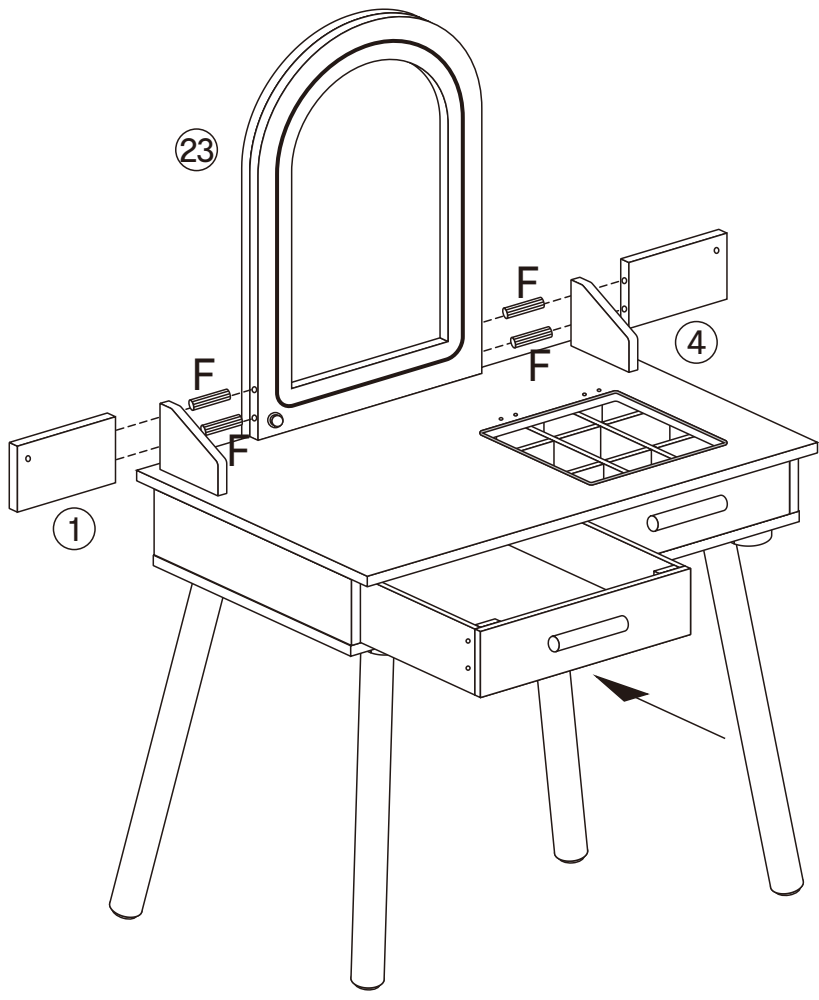


16



17





1 Open the battery cover with a cross head screw-driver (not included).

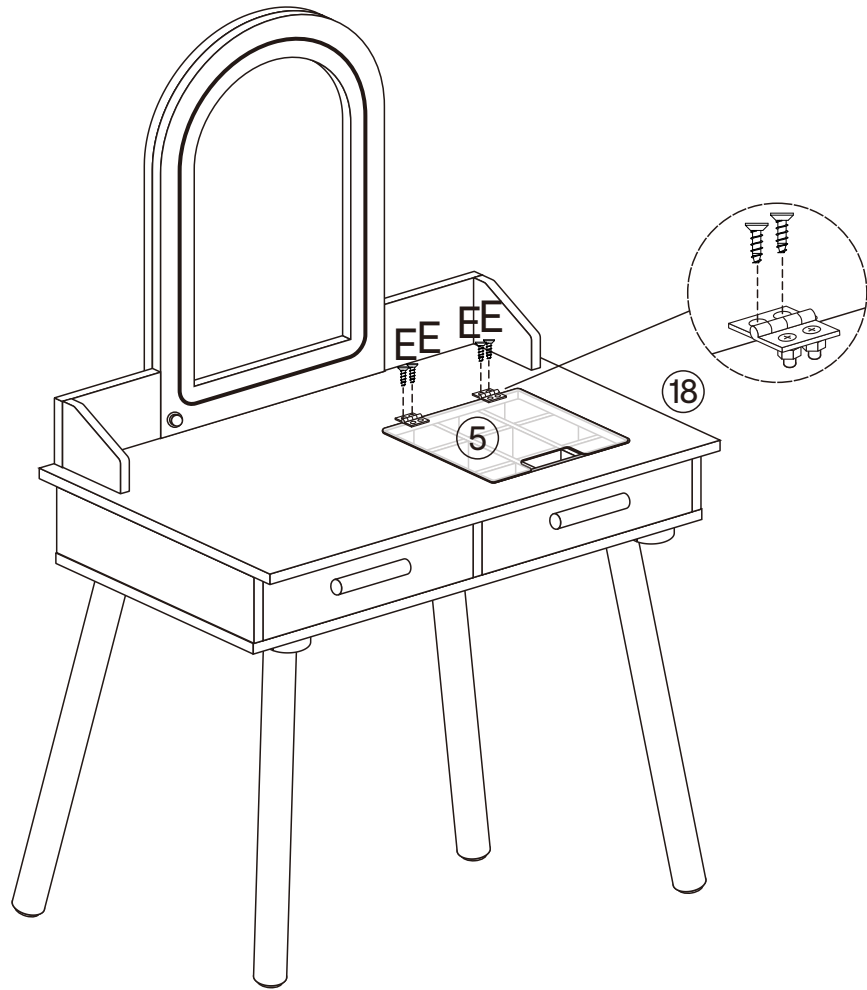
A diagram showing a cross-head screwdriver being used to pry open a rectangular battery cover. The cover is attached to a panel with four screws.

2 Insert batteries in battery compartment with the correct polarity.

A diagram showing three AA batteries being inserted into a battery compartment. The batteries are oriented with their positive (+) and negative (-) terminals matching the compartment's markings.

3 x 1.5V AA size batteries (not included).

20



21

