

Assembly Instructions


















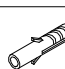


43515028 STEVIE BEDSIDE TABLE

CARE INSTRUCTIONS: WIPE CLEAN WITH A SOFT DAMP CLOTH. NEVER USE SCOURERS, ABRASIVES OR CHEMICAL SOLVENTS. KEEP AWAY FROM MOISTURE AND DIRECT SUNLIGHT. STORE IN A DRY PLACE. FOR INDOOR USE ONLY.

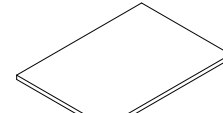
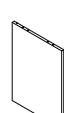
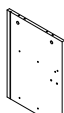
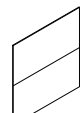
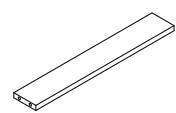
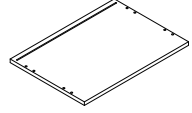
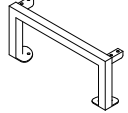
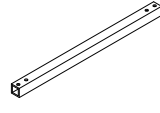
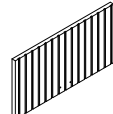
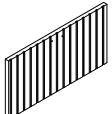
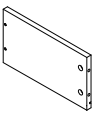
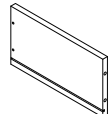
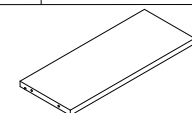
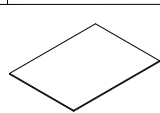
WARNING: DO NOT STAND, SIT OR LEAN ON THE UNIT. DO NOT USE THIS UNIT AS A STEP LADDER. ENSURE THIS UNIT IS USED ONLY ON A FLAT SURFACE. DO NOT USE THIS UNIT UNLESS ALL BOLTS AND SCREWS ARE FIRMLY SECURED. DO NOT PLACE HOT OBJECTS SUCH AS COFFEE CUPS DIRECTLY ON THE SURFACE OF THIS FURNITURE ITEM. THIS ITEM IS FOR STORAGE PURPOSES ONLY. CONTAINS SMALL PARTS. IT IS TO BE ASSEMBLED BY AN ADULT. FAILURE TO FOLLOW THESE WARNINGS COULD RESULT IN SERIOUS INJURY.

MAXIMUM SAFE LOAD: 10KG FOR TOP, 5KG FOR DRAWER.

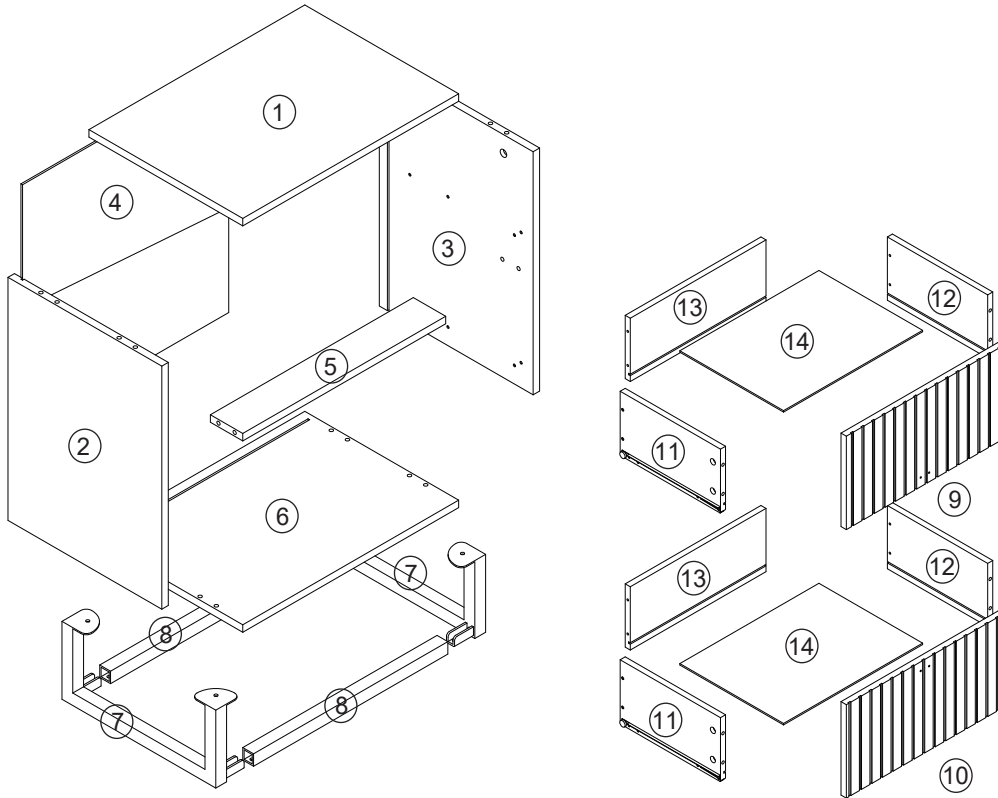
1 Hardware List

	A	6x30mm	8pcs		B	7x50mm	4pcs		C	4x30mm	8pcs
	D	6x35mm	16pcs		E	12x10mm	16pcs		F	4x25mm	4pcs
	G	6x12mm	12pcs		H		1pc		I		2pcs
	J		2pcs		K		2pcs		L		2pcs
	M		2pcs		N	3x12mm	33pcs		O		4pcs
	P		4pcs		Q	4x40mm	1pcs		R		1pcs
	S		2pcs		T		1pcs				

2 Parts List

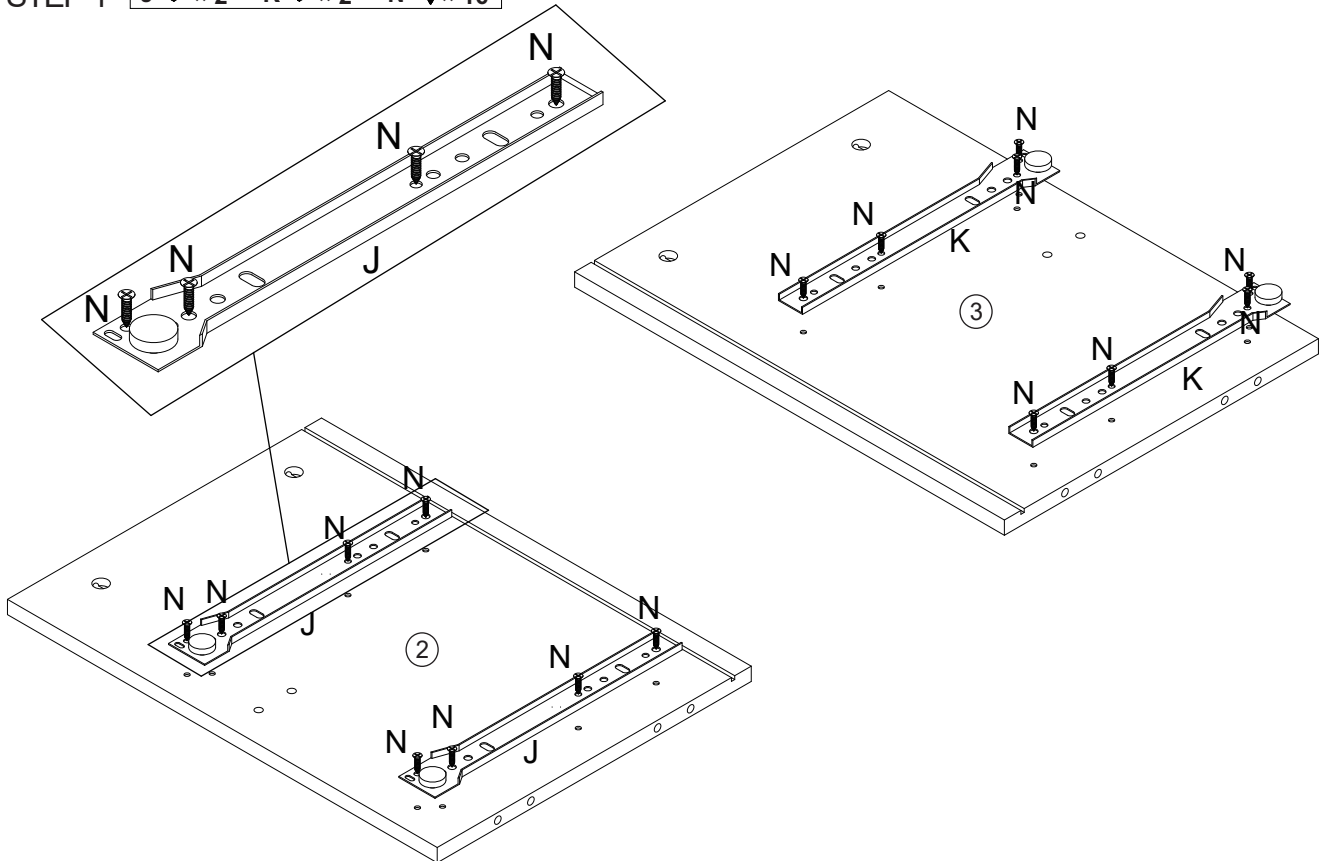
							
①	1pc	②	1pc	③	1pc	④	1pc
							
⑤	1pc	⑥	1pc	⑦	2pcs	⑧	2pcs
							
⑨	1pc	⑩	1pc	⑪	2pcs	⑫	2pcs
							
⑬	2pcs	⑭	2pcs				

3

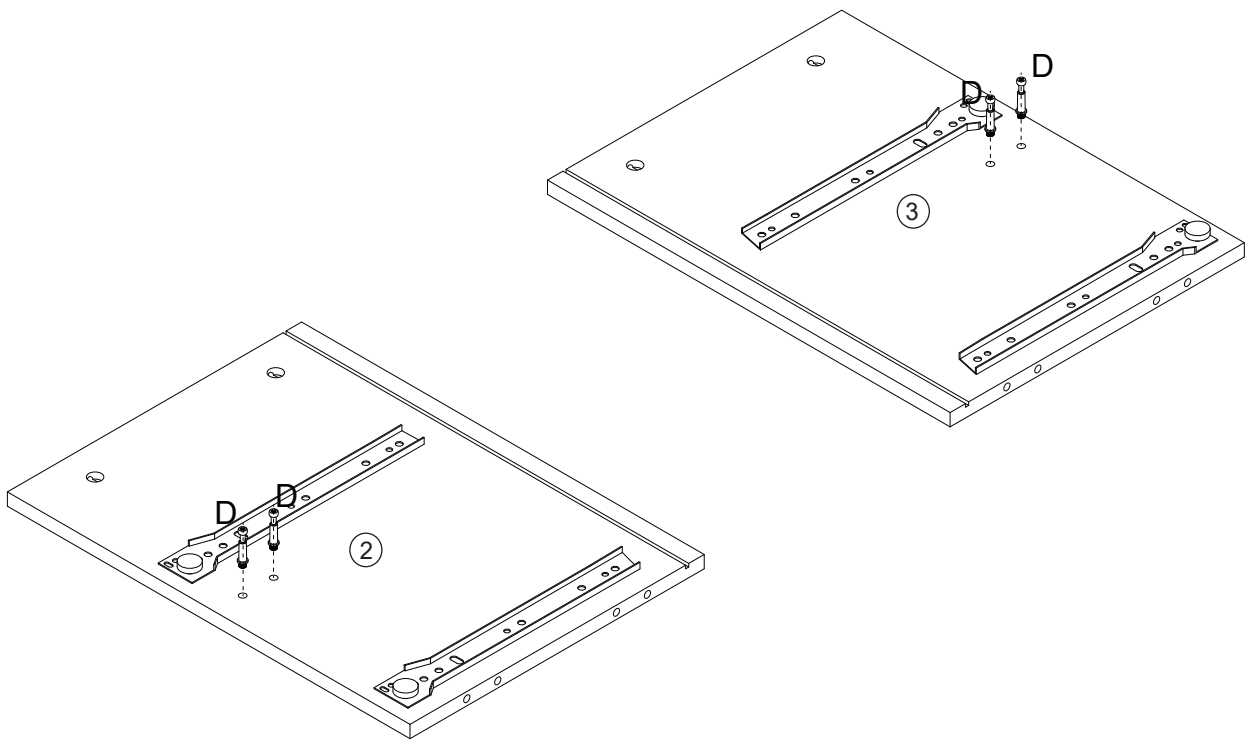


ATTENTION: DO NOT TIGHTEN THE SCREWS FULLY DURING ASSEMBLY. FULLY TIGHTEN SCREWS AFTER THE FINAL ASSEMBLY STEP.

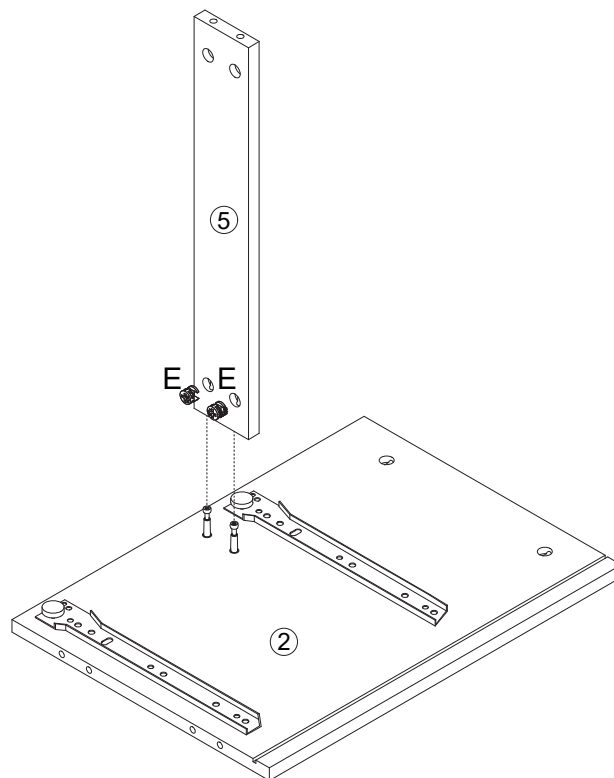
STEP 1 J - $\times 2$ K - $\times 2$ N - $\times 16$



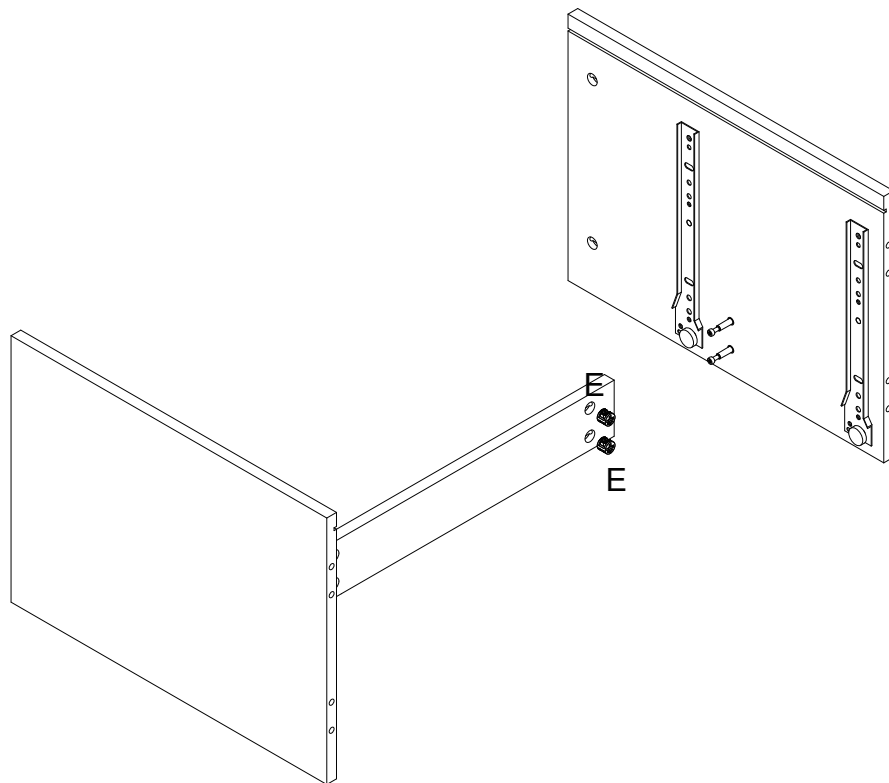
STEP 2 **D-x4**



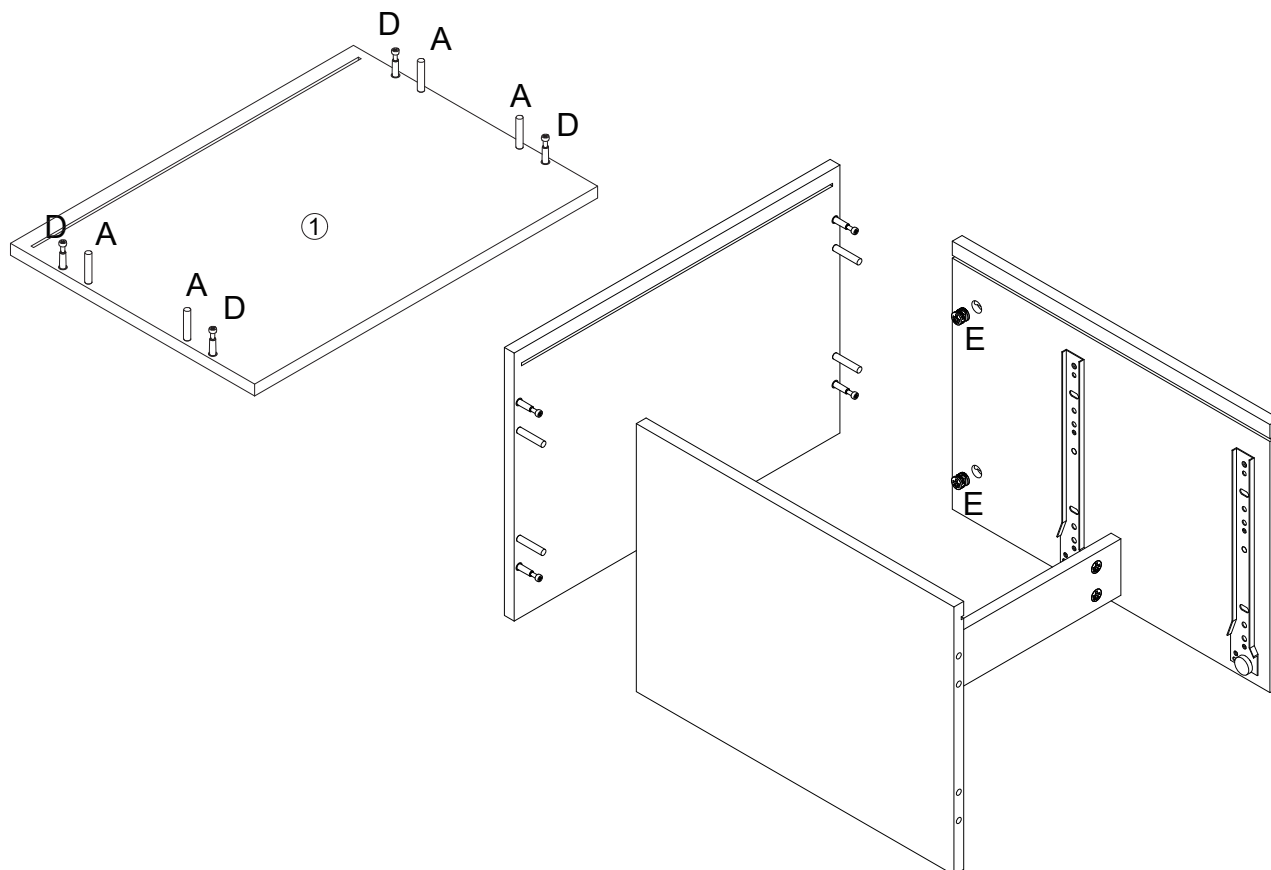
STEP 3 **E-x2**



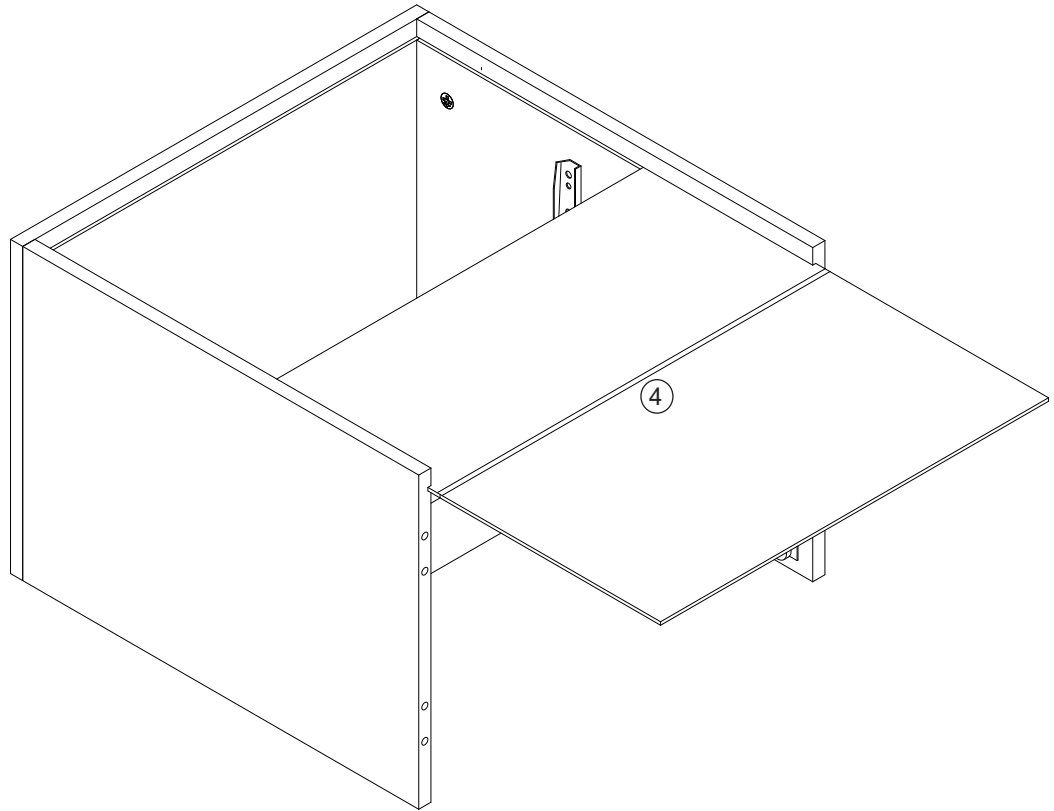
STEP 4 E-⌀×2



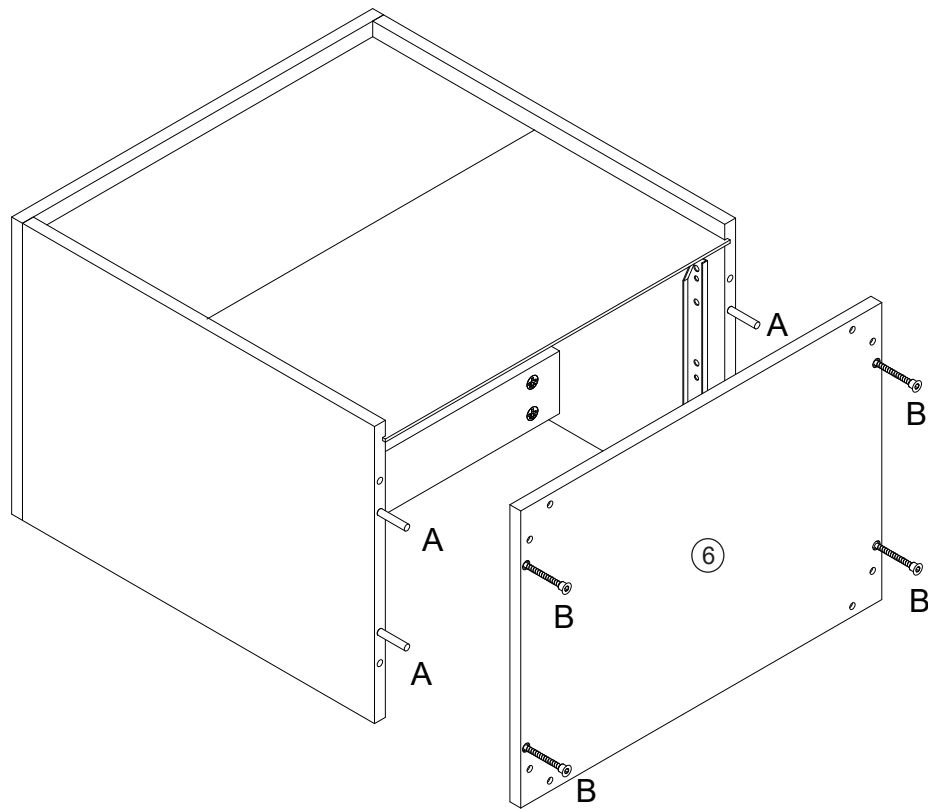
STEP 5 A-⌀×4 D-⌀×4 E-⌀×4



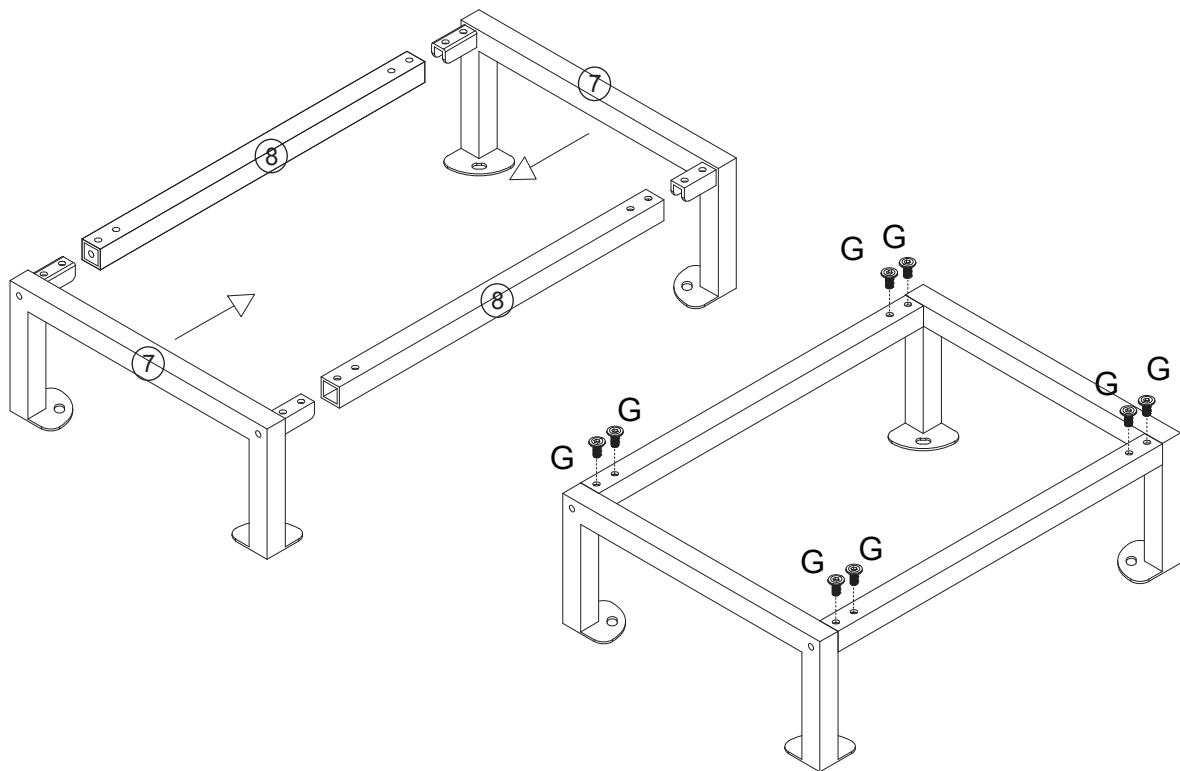
STEP 6



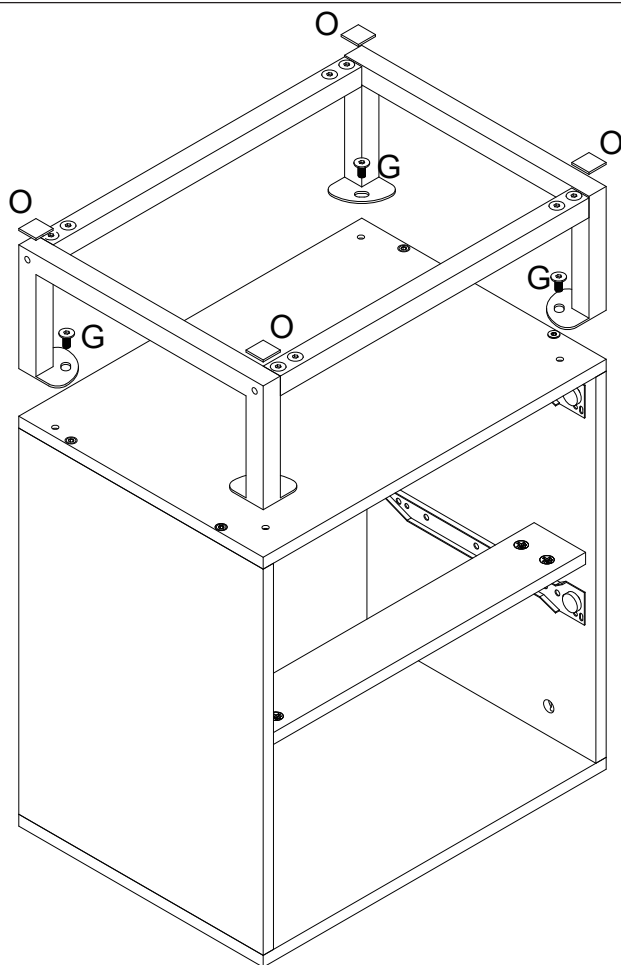
STEP 7 **A - 0 × 4** **B - 1 × 4**








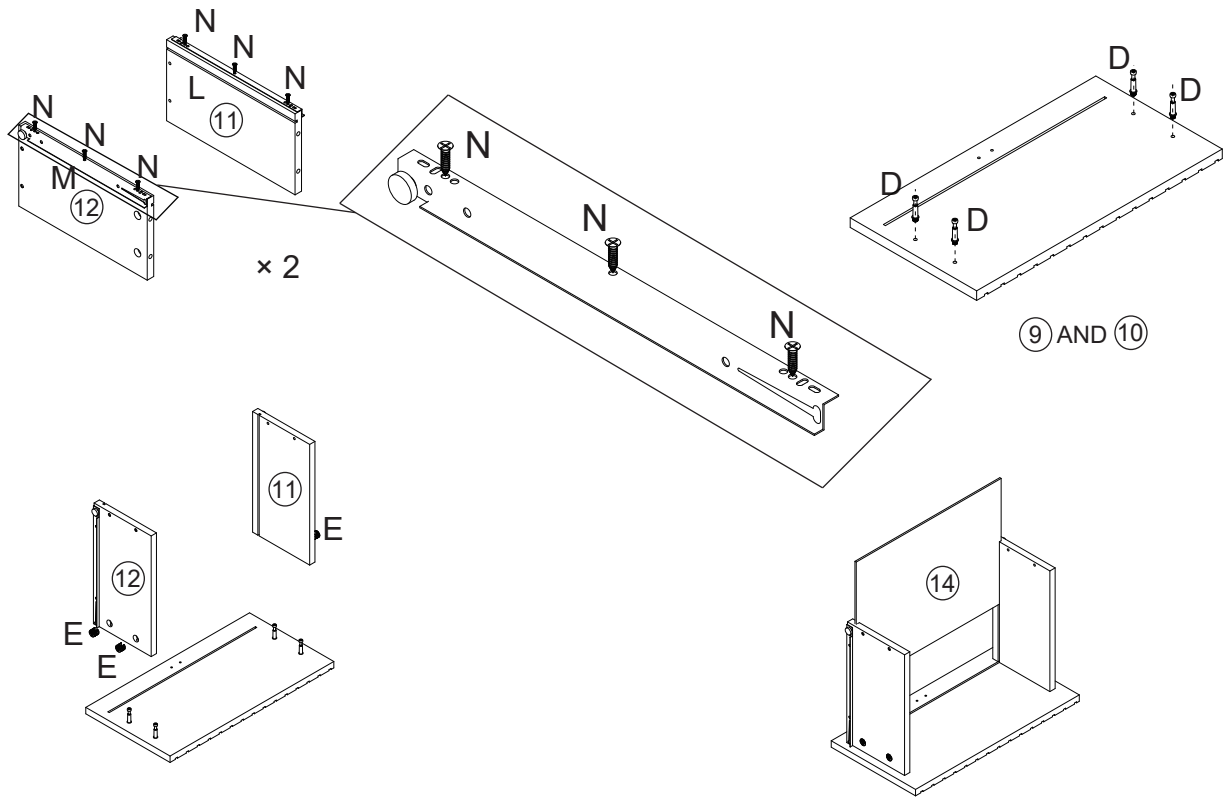
STEP 8 **G - ⚙️ × 8**






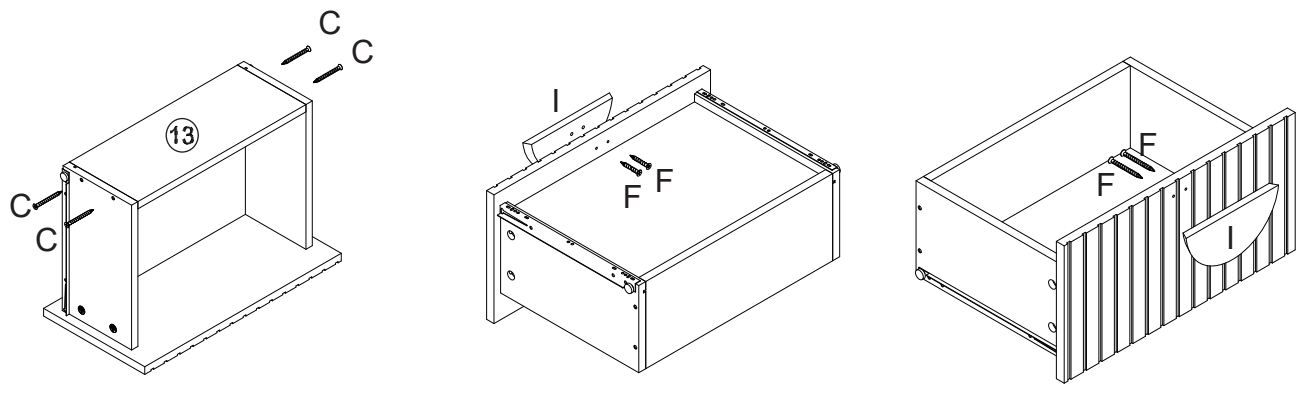
STEP 9 **G - ⚙️ × 4** **O - ◊ × 4**



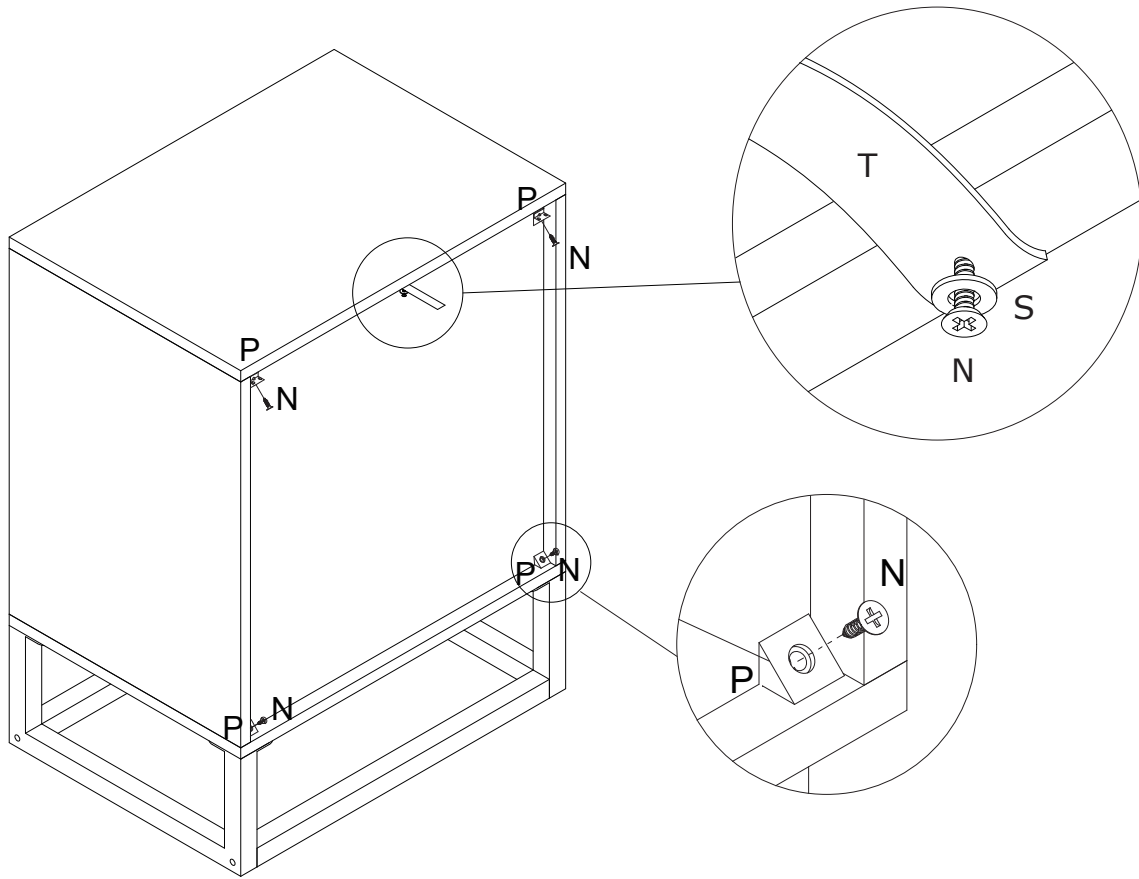
STEP 10 **D**-x8 **E**-x8 **L**-x2 **M**-x2 **N**-x12



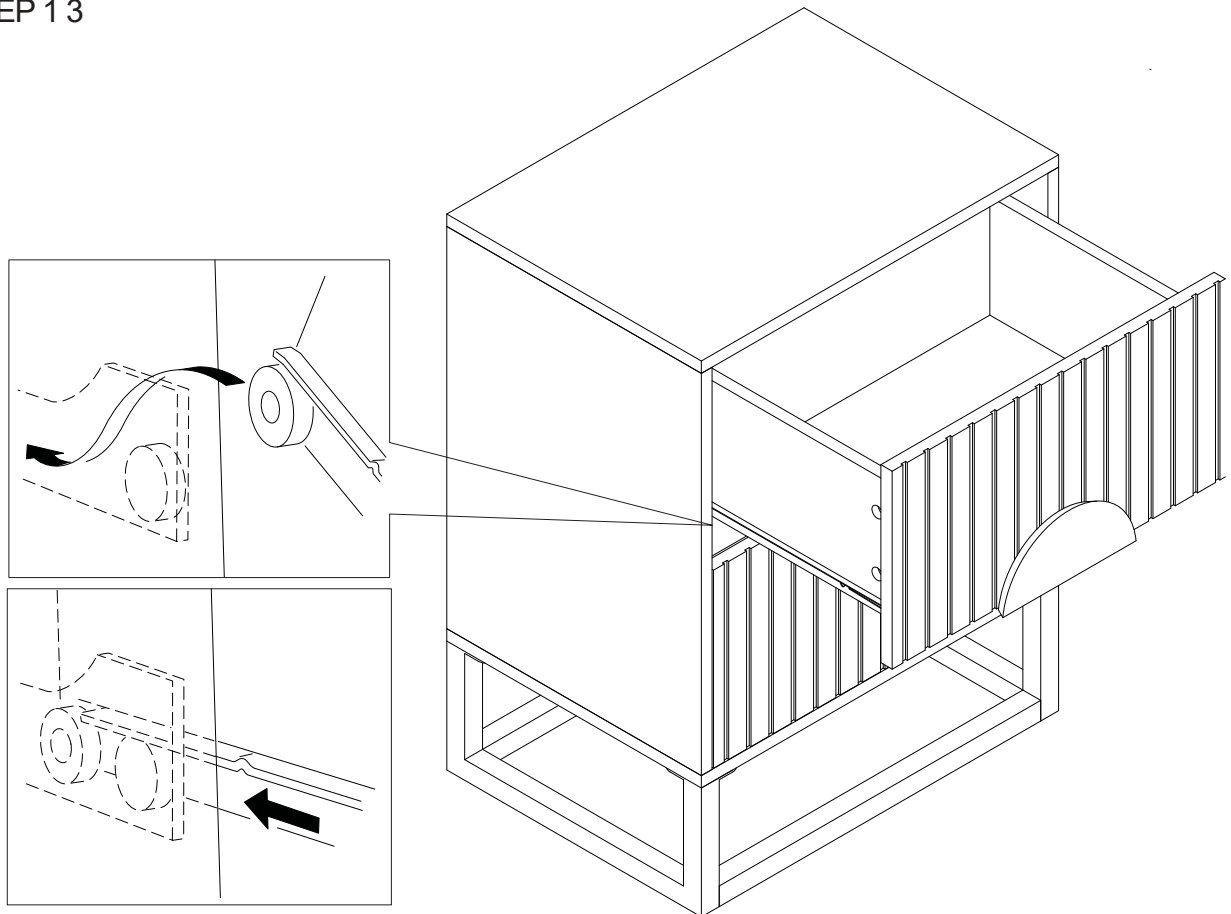
STEP 11 **C**-x8 **F**-x4 **I**-x2






STEP 12 N-x5 P-x4 T-x1 S-x1

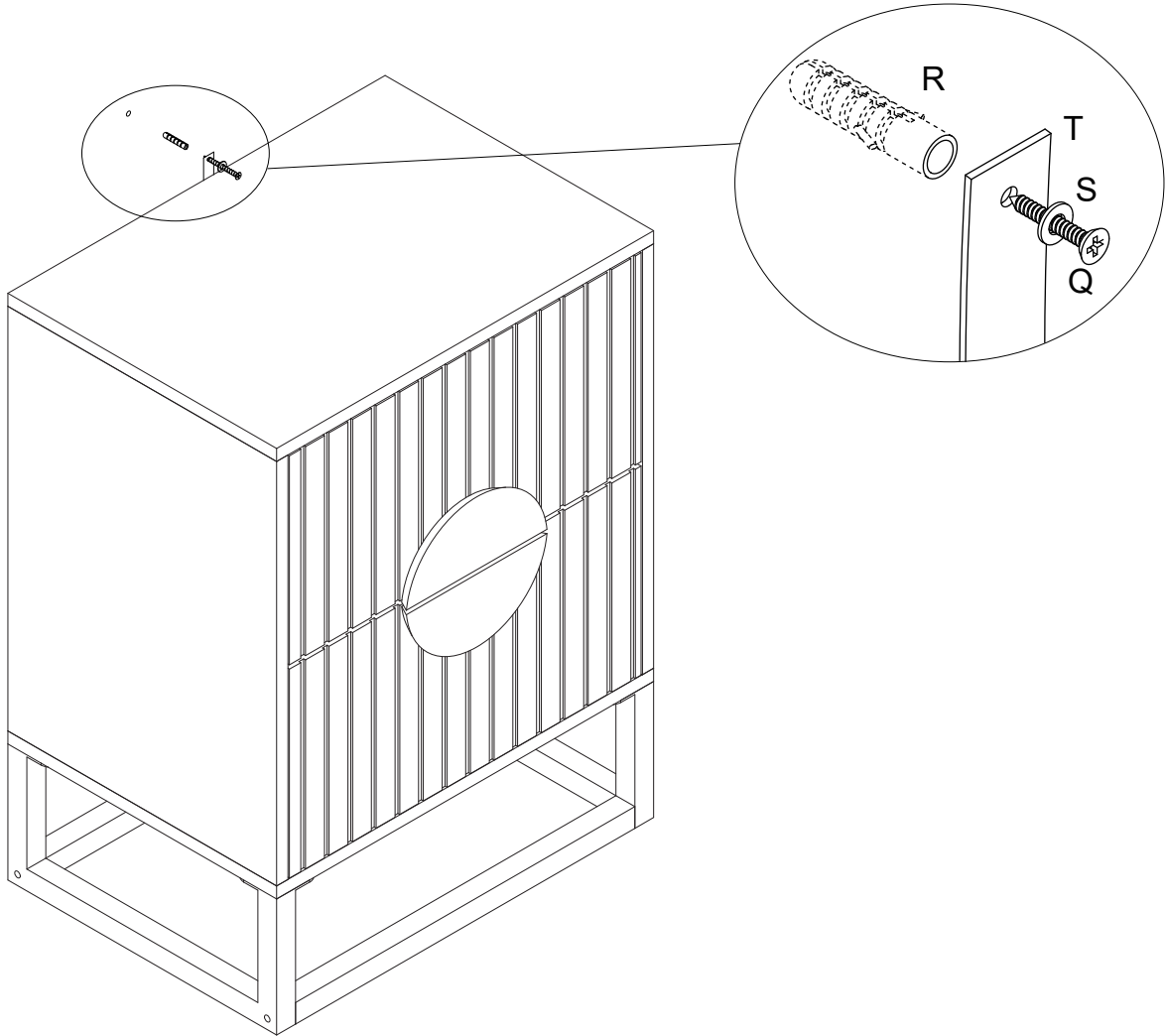


STEP 13



STEP 14

Q-x1 S-x1 R-x1



⚠ WARNING	
	
<p>Children have died from furniture tipover.</p> <ul style="list-style-type: none"> • ALWAYS secure it with an anchor device. • NEVER allow children to stand, climb or hang on drawers, doors, or shelves. • NEVER open more than one drawer at a time. • Place heavy items down low. • Furniture type is at risk of toppling over. 	
<p>NEVER put a TV on this furniture </p> <p>This is a permanent label. Do not remove!</p>	

TOPPLING FURNITURE WARNING:

- It is strongly recommended that this product is permanently fixed to the wall.
- Please seek professional advice if you are in doubt of what fixing device to use.
- Regularly check that anchors are securely maintained.
- Use safety drawer locks to prevent children climbing.
- Stability of tall items may be affected by thick pile carpet or uneven floors .
- Do not place unanchored televisions on furniture .

CAUTION: for your safety when attaching the anchor fixings, please note the following:

- Check any electrical wires or plumbing inside the wall before drilling any holes (if you are unsure please seek professional advice from a qualified tradesperson).



WARNING: PLEASE SECURE YOUR FURNITURE WITH THE SUPPLIED WALL FIXING. SCAN THE CODE FOR MORE INFORMATION.

