

anko

Wood Crate Large Instruction Manual

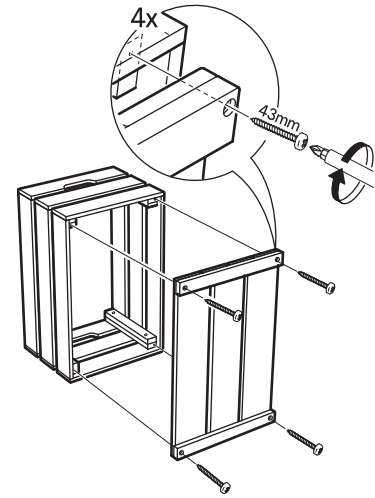
› 25cm(H) x 46cm(L) x 31cm(D)



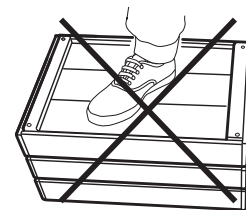
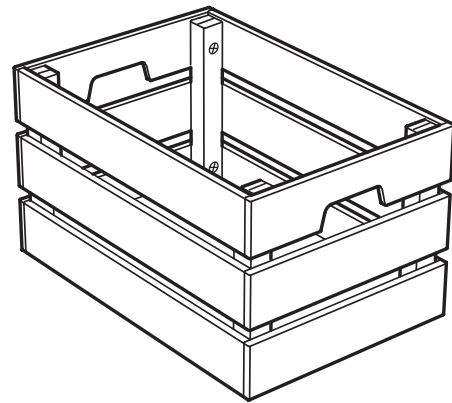
The illustrations shown in this manual are for reference only. Actual product may vary slightly. The manufacturer reserves the right to change any specification or feature without prior notice.

**IMPORTANT! PLEASE READ CAREFULLY BEFORE USE
AND KEEP FOR FUTURE REFERENCE.**

Step 3



Finished Product

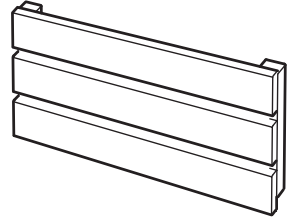
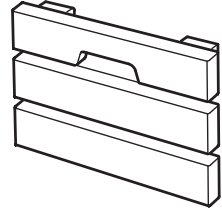
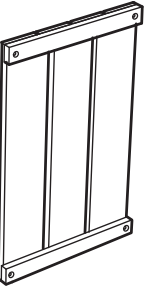
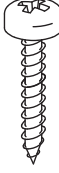
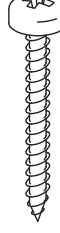


MADE IN CHINA
CUSTOMER SERVICE:
KMART AU: 1800 124 125
KMART NZ: 0800 945 995
TARGET AU: 1300 753 567

KEYCODE: K: 43-516-230 | T: 00-000-000

ASSEMBLY INSTRUCTION

PART LIST & HARDWARE

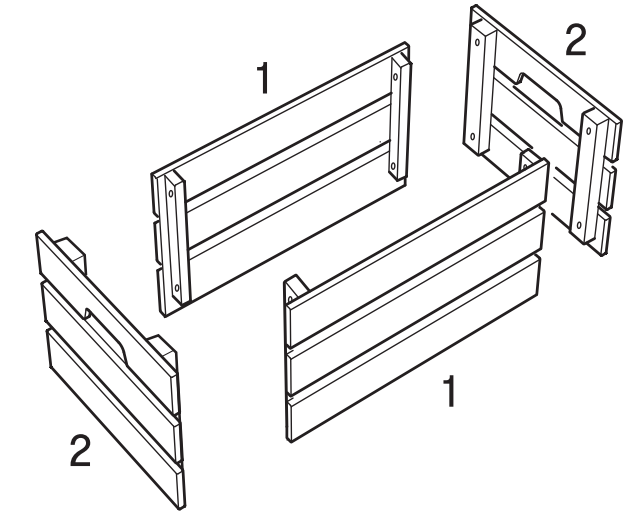
1		2	
	2pcs		2pcs
3			
	1pc		
A		B	
	22mm		43mm
	8pcs		4pcs

ATTENTION:

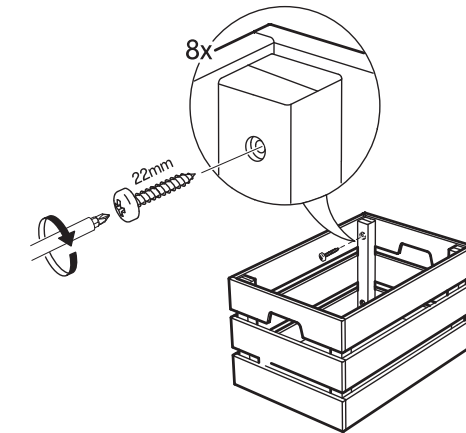
1. Do not tighten screws before all screws are in the right place.
2. Do not use this product unless all bolts, screws and knobs are firmly secured.
3. Check that all bolts, screws and knobs are securely tightened at least every 4 months.
4. Product should not be used for anything other than its intended purpose.
5. Maximum load weight: 20kgs.

2

Step 1



Step 2



CAUTION:

Use '+' manual screwdriver (not included), electric screwdriver not recommend as it may cause damage to your product.

3