

Assembly Instructions








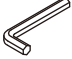

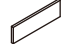








43516278 HAMPTONS BEDSIDE TABLE WITH DRAWER

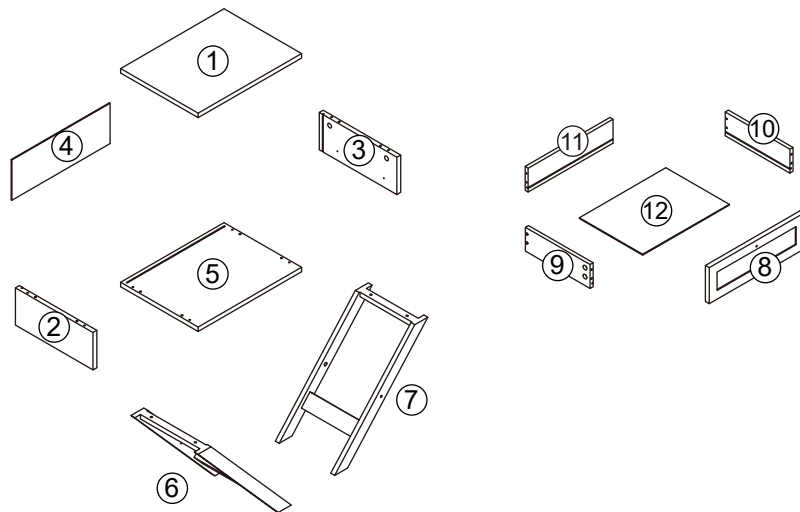
CARE INSTRUCTION: Wipe clean with a soft damp cloth. Do not use abrasive material and solvents. Store in a dry place. Check and tighten all parts regularly. For indoor and domestic use.

WARNINGS: Do not stand, sit, or lean on the product. Do not drag the product. Use only on a flat surface. Do not use until all screws, bolts and knobs are firmly secured. This product contains small parts and sharp points, keep away from children and babies. Adult assembly required. Failure to follow these warnings could result in serious injury.

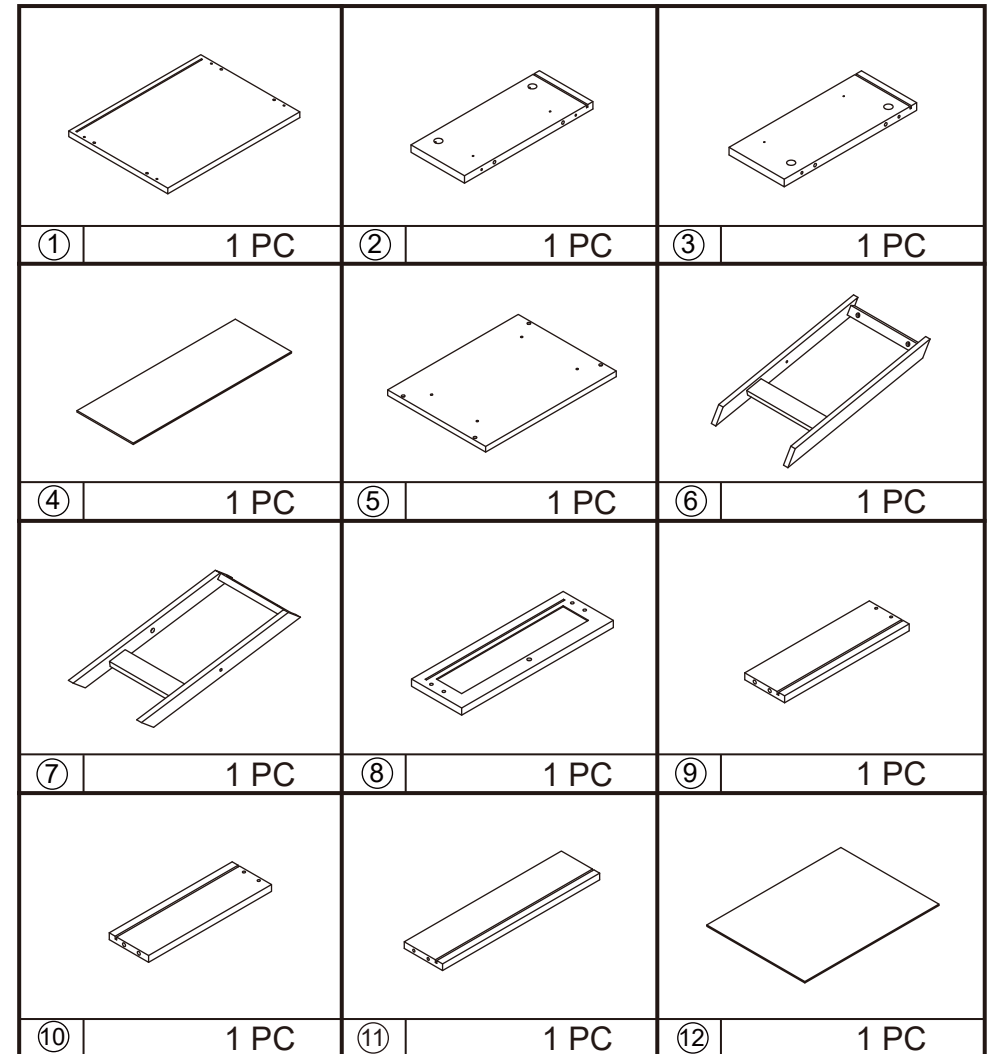
MAXIMUM TOTAL LOADING WEIGHT: 3KGS FOR TOP OF TABLE, 2KGS FOR DRAWER.

Hardware list

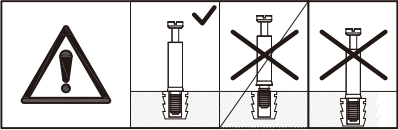
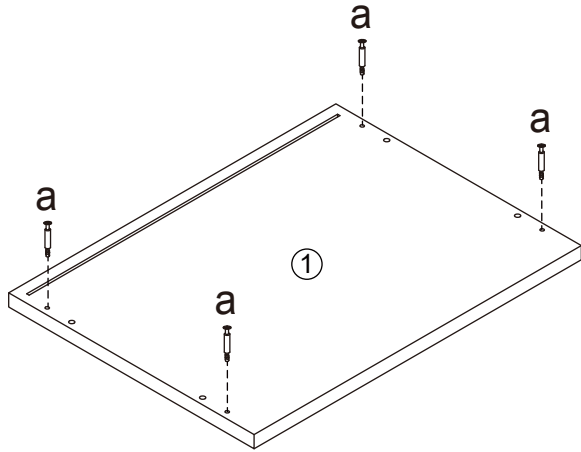
	a		8PCS		j		1PC
	b		8PCS		k		1PC
	c	6X30mm	8PCS		l		1PC
	d	3X12mm	8PCS		m		1PC
	e	4X35mm	8PCS		n		4PCS
	f	4X18mm	1PC		o	4X12mm	1PC
	g		1PC		p	4X30mm	1PC
	h	6X25mm	6PCS		q		1PC
	i		1PC		r		1PC



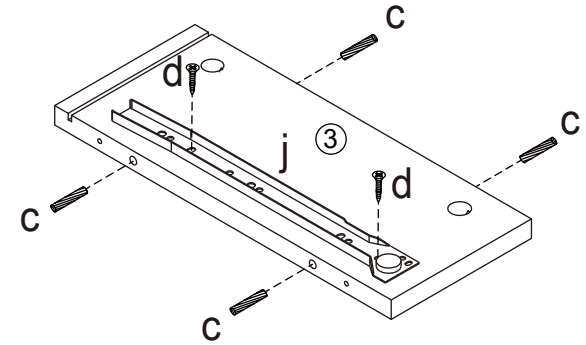
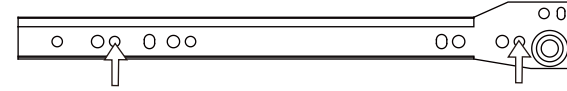
DO NOT TIGHTEN THE SCREWS UNTIL THE PRODUCT IS FULLY ASSEMBLED.



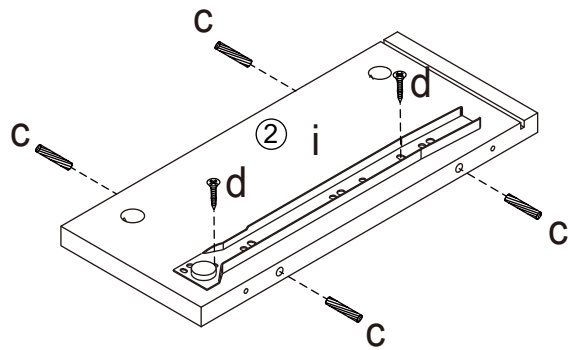
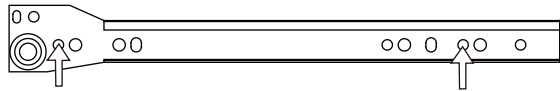
STEP 1



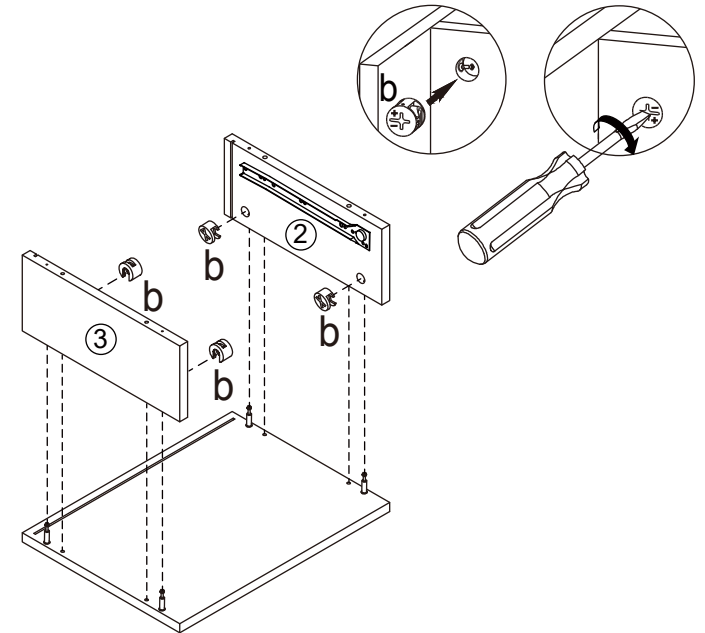
STEP 2



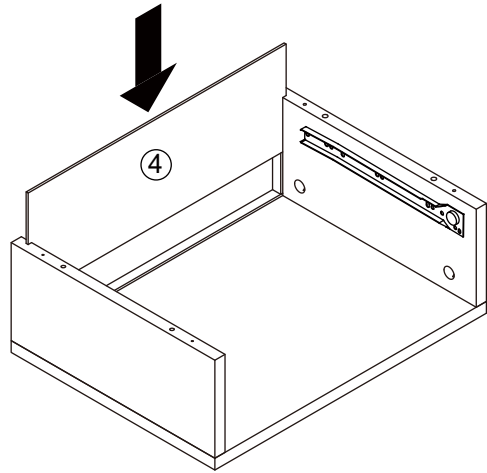
STEP 3



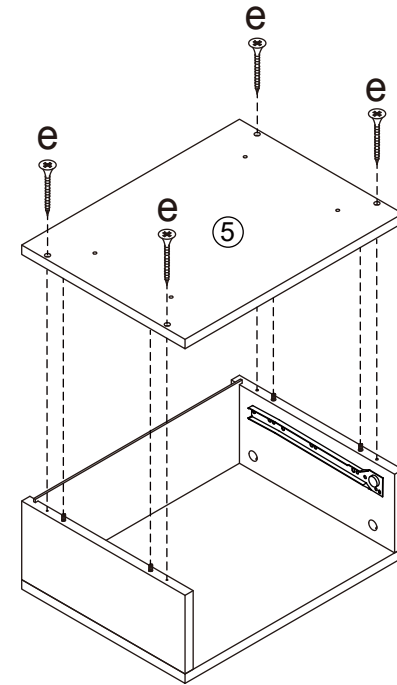
STEP 4



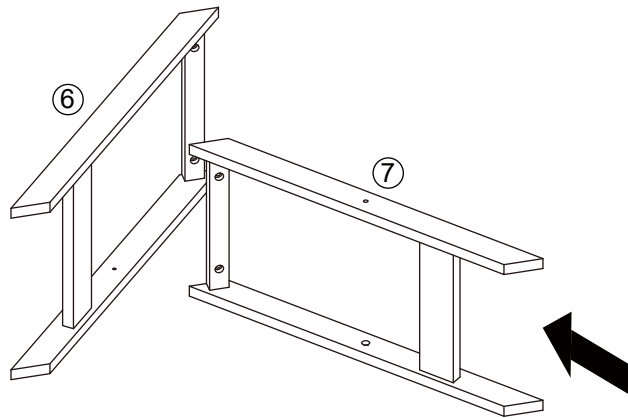
STEP 5



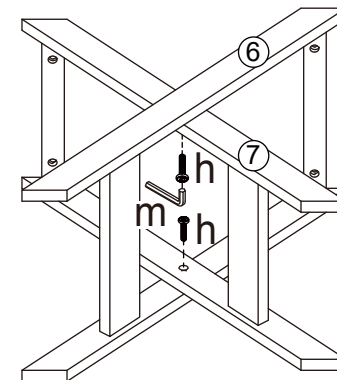
STEP 6



STEP 7



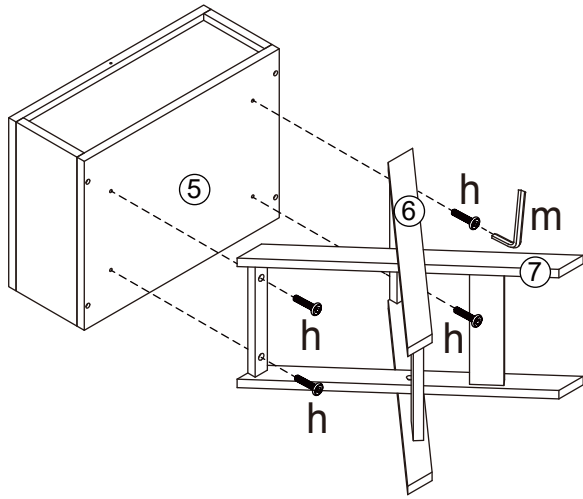
STEP 8



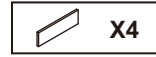
STEP 9



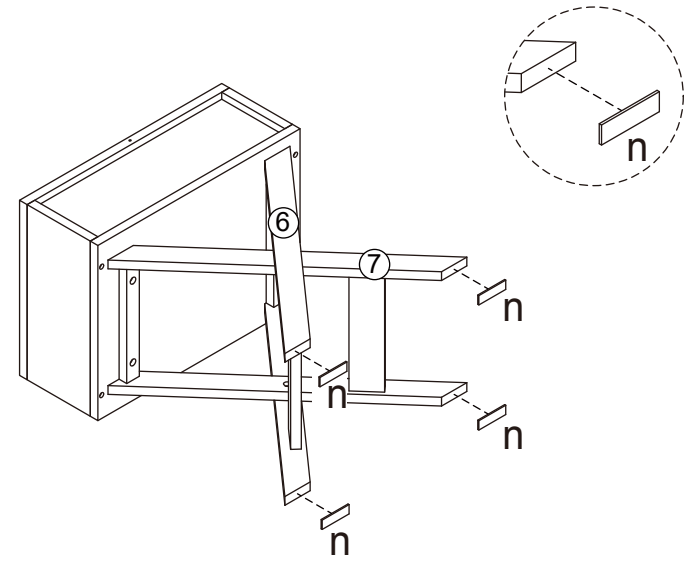
X4



STEP 10



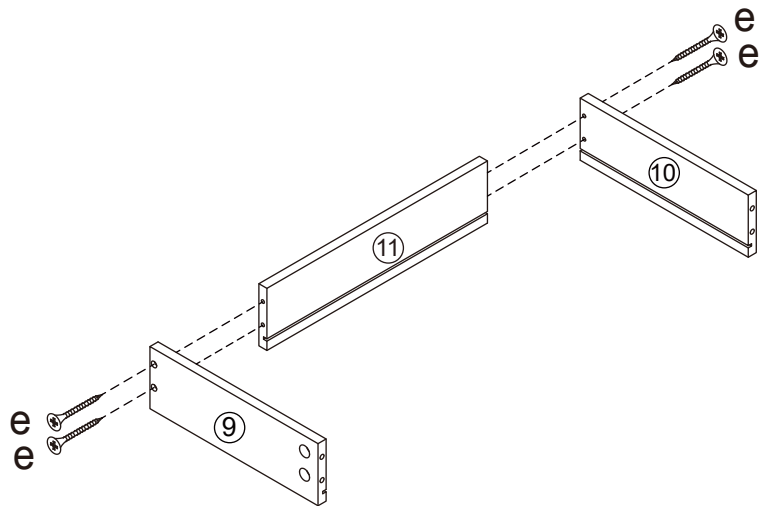
X4



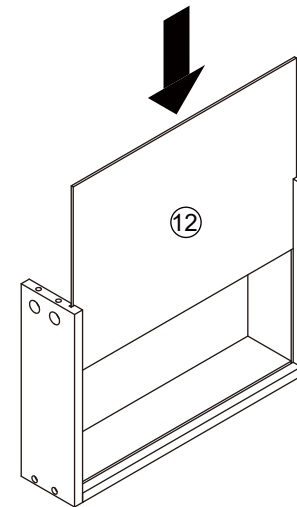
STEP 11



X4

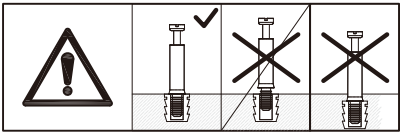
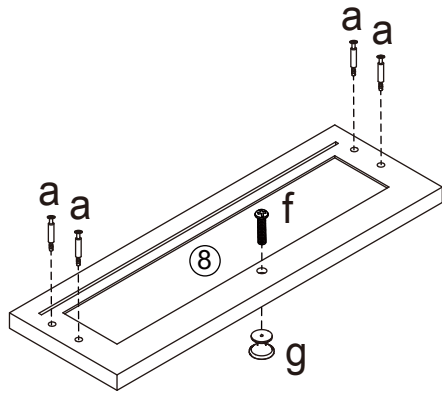


STEP 12



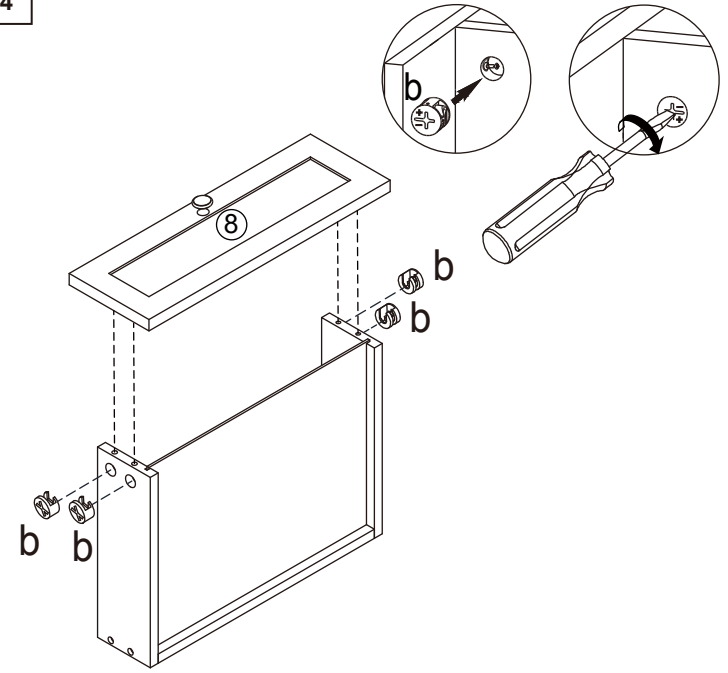
STEP 13

-  x4
-  x1
-  x1



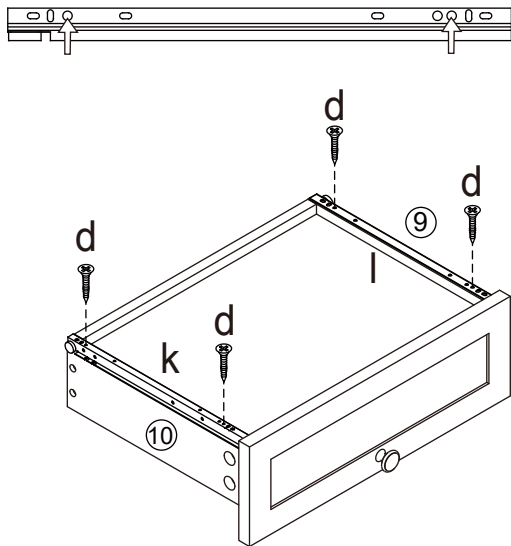
STEP 14

-  x4

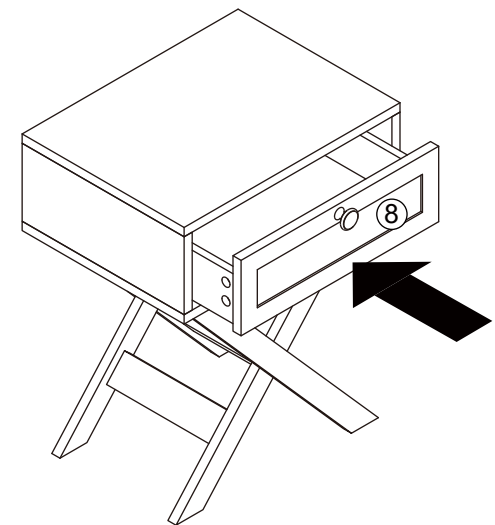


STEP 15

-  x4
-  x1
-  x1



STEP 16



STEP 17



Warning:

- It is strongly recommended that this product is permanently fixed to the wall.
- Please seek professional advice if you are in doubt of what fixing device to use.
- Regularly check that anchors are securely maintained.
- Use safety drawer locks to prevent children climbing.
- Stability of tall items may be affected by thick pile carpet or uneven floors.
- Do not place unanchored televisions on furniture.

Caution: for your safety when attaching the anchor fixings, please note the following:

- Check any electrical wires or plumbing inside the wall before drilling any holes (if you are unsure please seek professional advice from a qualified tradesperson)

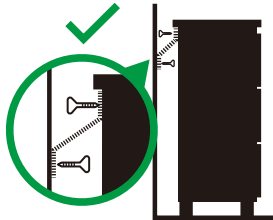


TOPPLING HAZARD

WARNING: PLEASE SECURE YOUR FURNITURE WITH THE SUPPLIED WALL FIXING. SCAN THE CODE FOR MORE INFORMATION.



WARNING



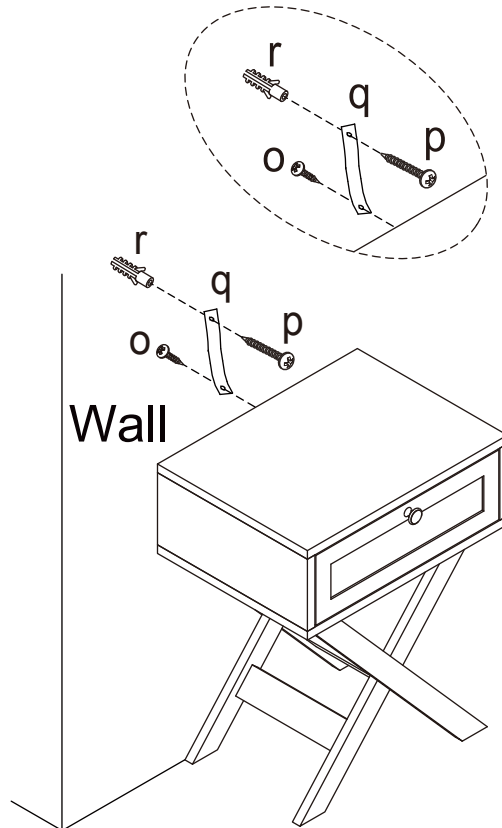
Children have died from furniture tipover.

- ALWAYS secure it with an anchor device.
- NEVER allow children to stand, climb or hang on drawers, doors, or shelves.
- NEVER open more than one drawer at a time.
- Place heavy items down low.
- Furniture type is at risk of toppling over.

NEVER put a TV on this furniture



This is a permanent label. Do not remove!



STEP 18

