

Assembly Instructions

43518005 LOZENGE BOOKSHELF

CARE INSTRUCTIONS:

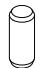







TO BE ASSEMBLED ON A CLEAN, DRY AND SMOOTH SURFACE. WIPE CLEAN WITH A DRY CLOTH. NEVER USE SCOURERS, ABRASIVES OR CHEMICAL SOLVENTS. CHECK AND TIGHTEN ALL PARTS REGULARLY. KEEP AWAY FROM MOISTURE AND DIRECT SUNLIGHT. STORE IN A DRY PLACE. FOR INDOOR USE ONLY.

WARNING:

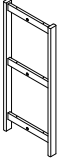
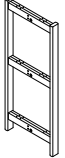
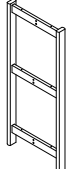
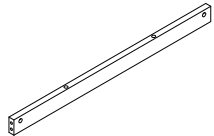
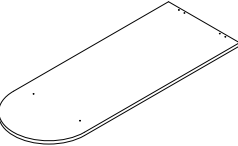
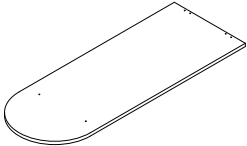
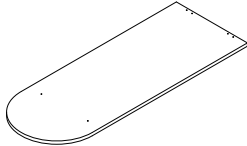
DO NOT STAND, SIT OR LEAN ON THIS UNIT. DO NOT USE THIS UNIT AS A STEP LADDER OR AS A CHOPPING SURFACE. ENSURE THIS UNIT IS USED ONLY ON A FLAT SURFACE. DO NOT USE THIS UNIT UNLESS ALL BOLTS AND SCREWS ARE FIRMLY SECURED. KEEP AWAY FROM CHILDREN AND BABIES. THIS PACKAGE CONTAINS SMALL PARTS AND SHARP POINTS. ADULT ASSEMBLY REQUIRED. A MILD ODOUR MAY BE PRESENT WHEN FIRST OPENING THIS CARTON. SIMPLY ALLOW TO AIR OUTSIDE AND THIS WILL FADE.

MAXIMUM SAFE LOAD: 20KGS FOR EACH SHELF.

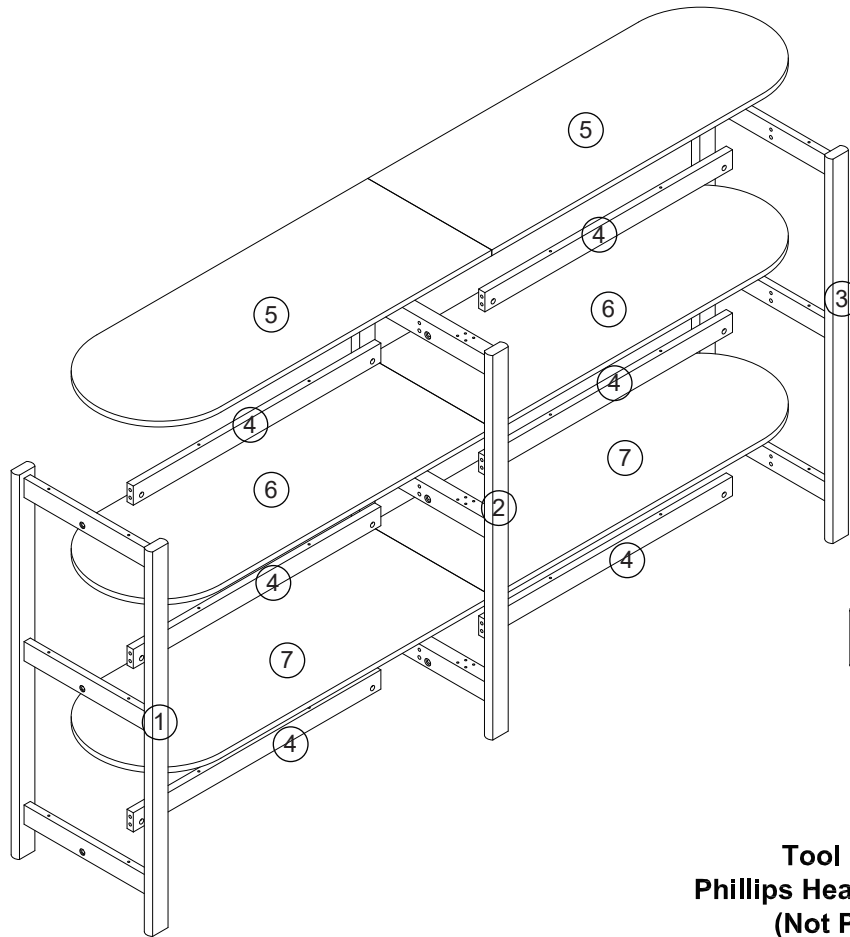
1 Hardware List

	A	6x30mm	24pcs		B	6x60mm	12pcs		C	3x14mm	2pcs
	D	5x10x10mm	12pcs		E	4x40mm	38pcs		F		2pcs
	G		2pcs		H		4pcs				

2 Parts List

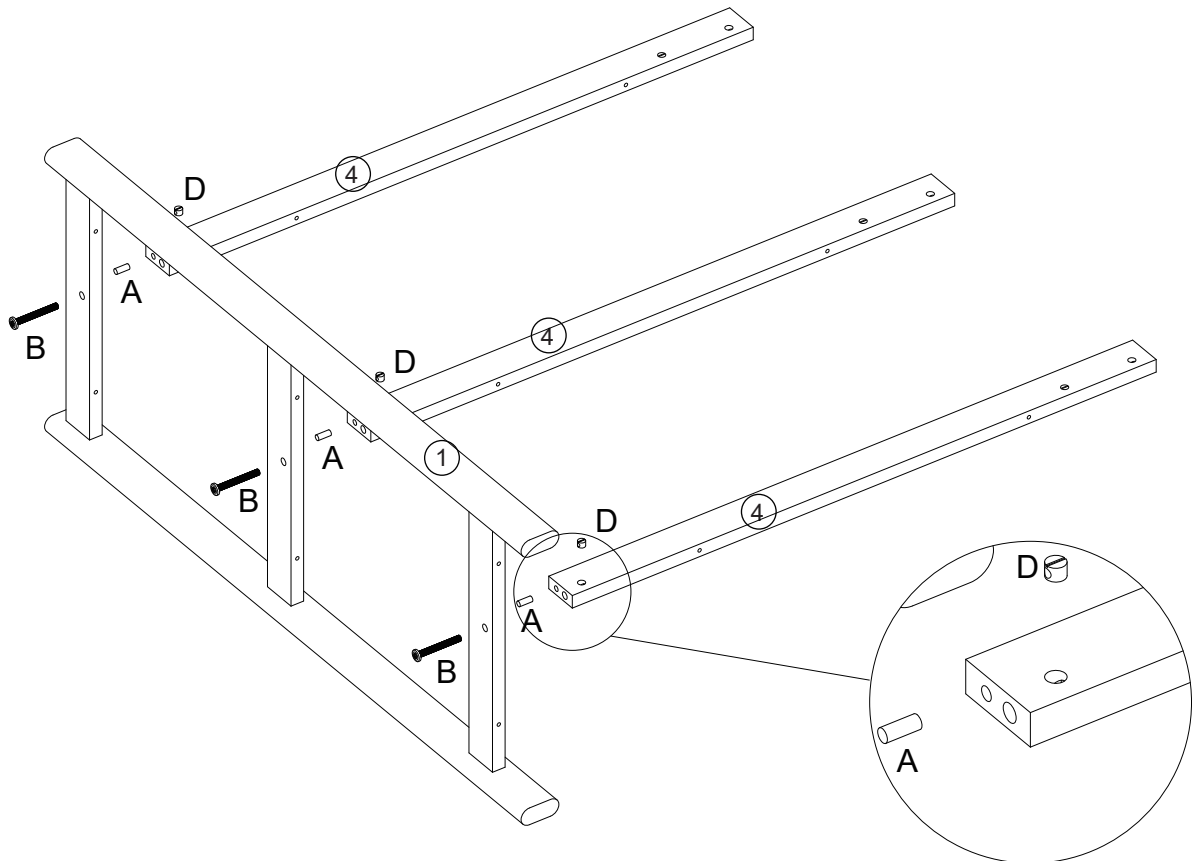
							
①	1pc	②	1pc	③	1pc	④	6pcs
							
⑤	2pcs	⑥	2pcs	⑦	2pcs		

3



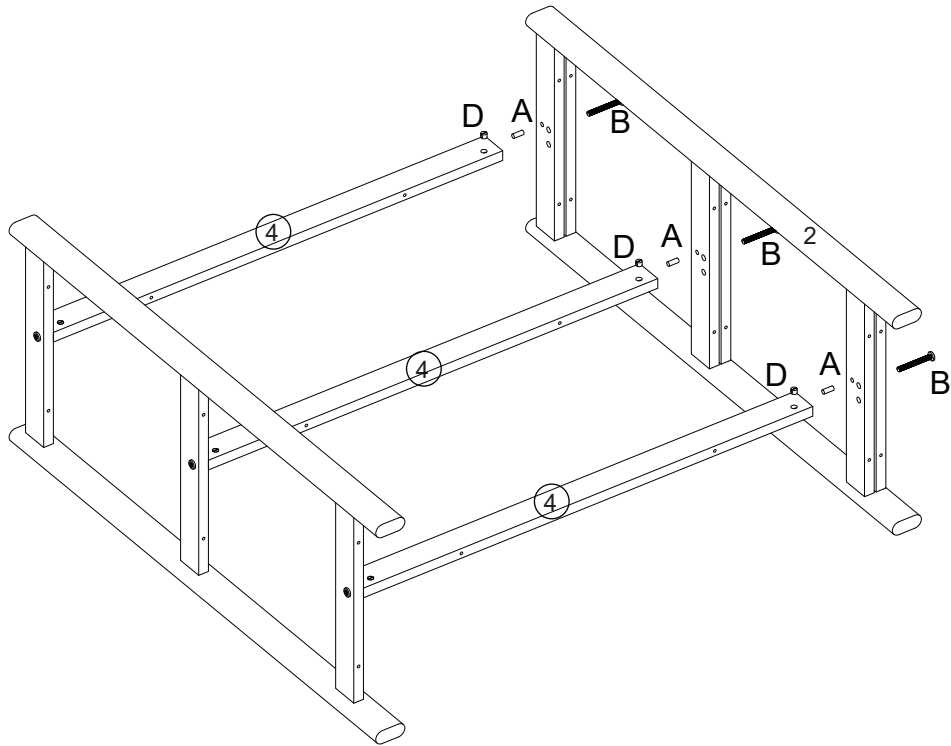
Tool required
Phillips Head Screw Driver
(Not Provided)

STEP 1 A -  x 3 B -  x 3 D -  x 3



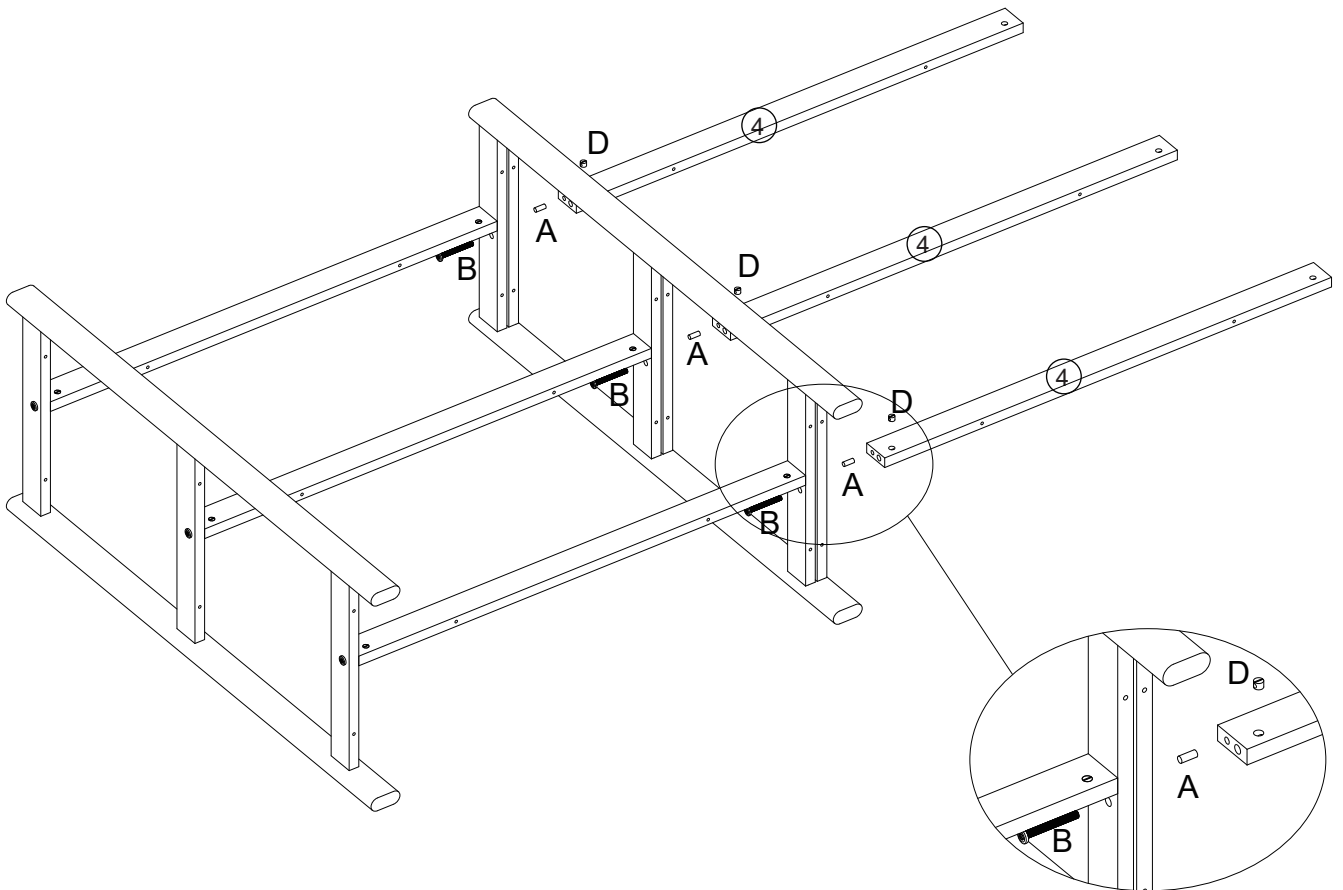
STEP 2

A -  x 3 B -  x 3 D -  x 3



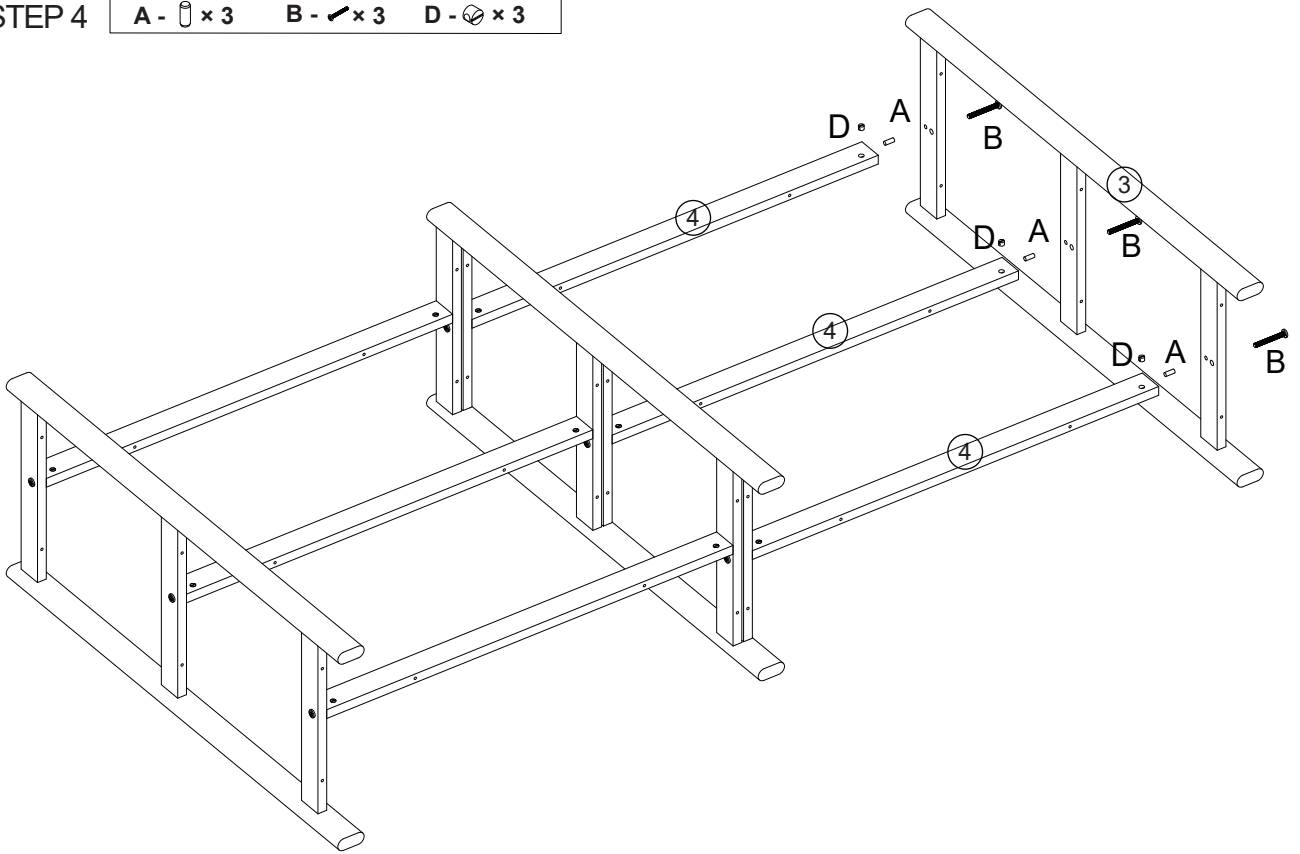
STEP 3

A -  x 3 B -  x 3 D -  x 3



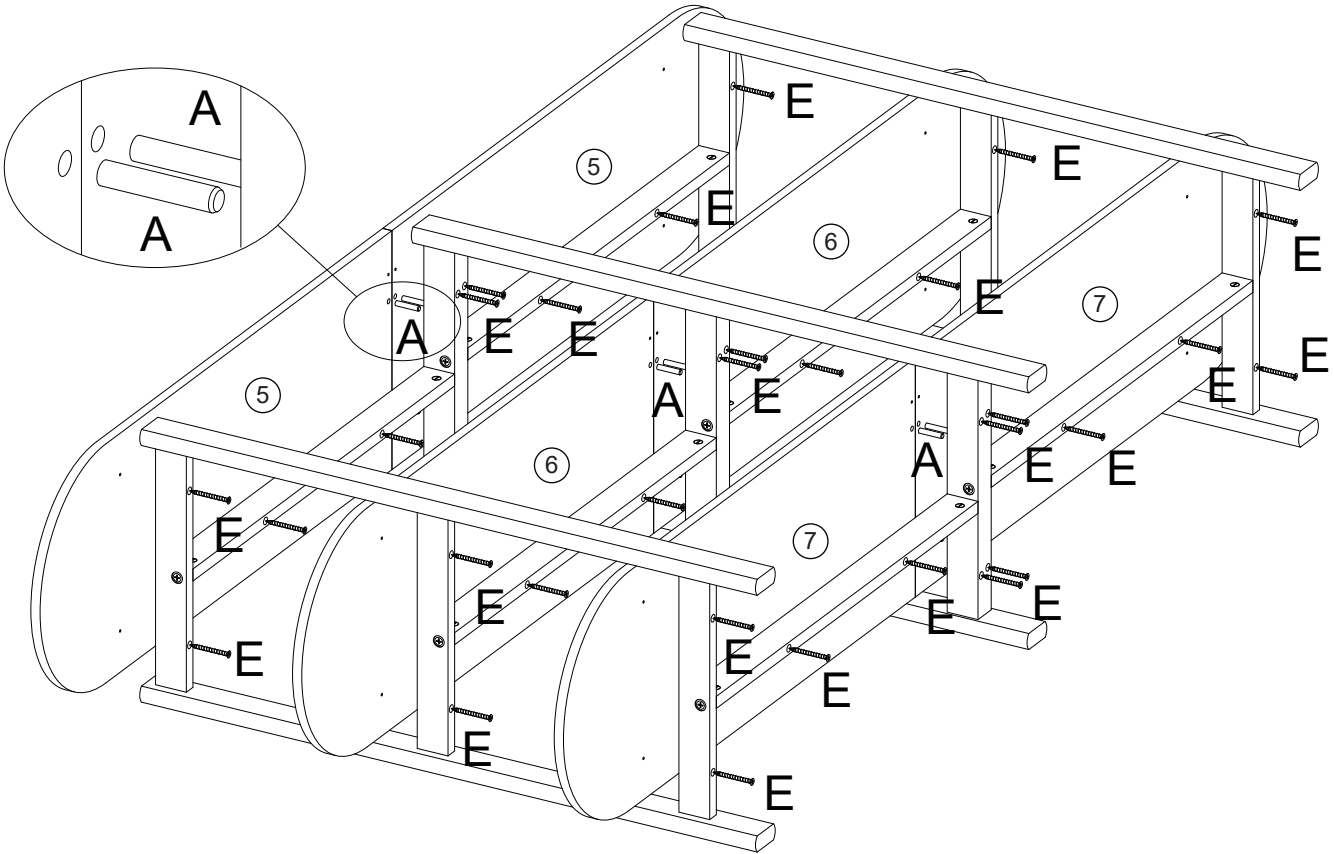
STEP 4

A -  x 3 B -  x 3 D -  x 3




STEP 5


A -  x 12 E -  x 36

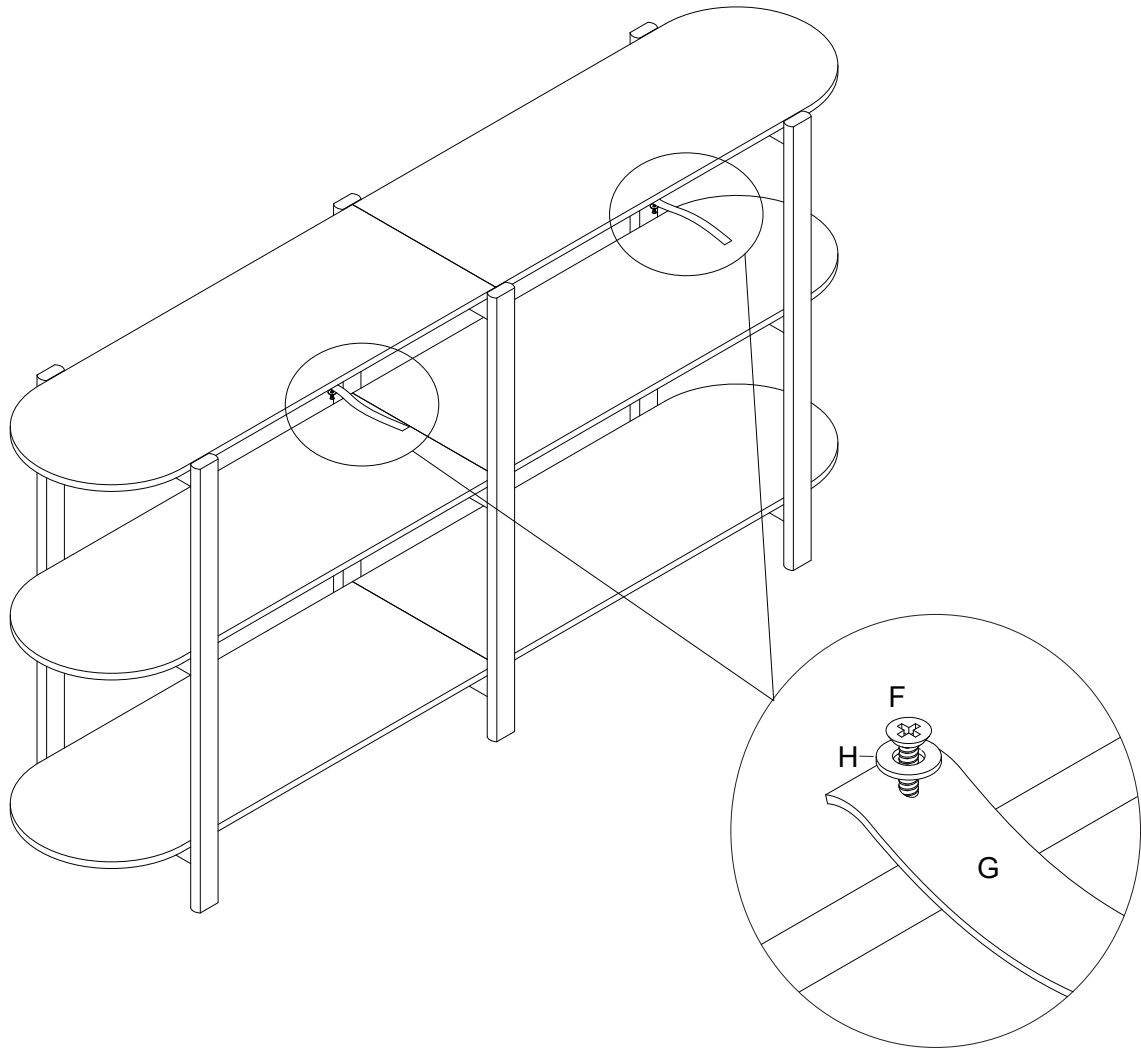


STEP 6

F -  x 2

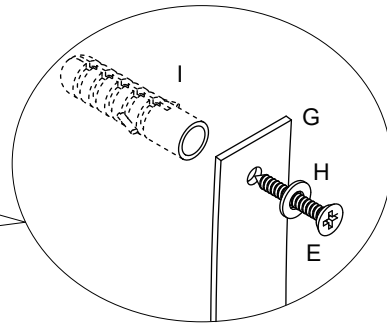
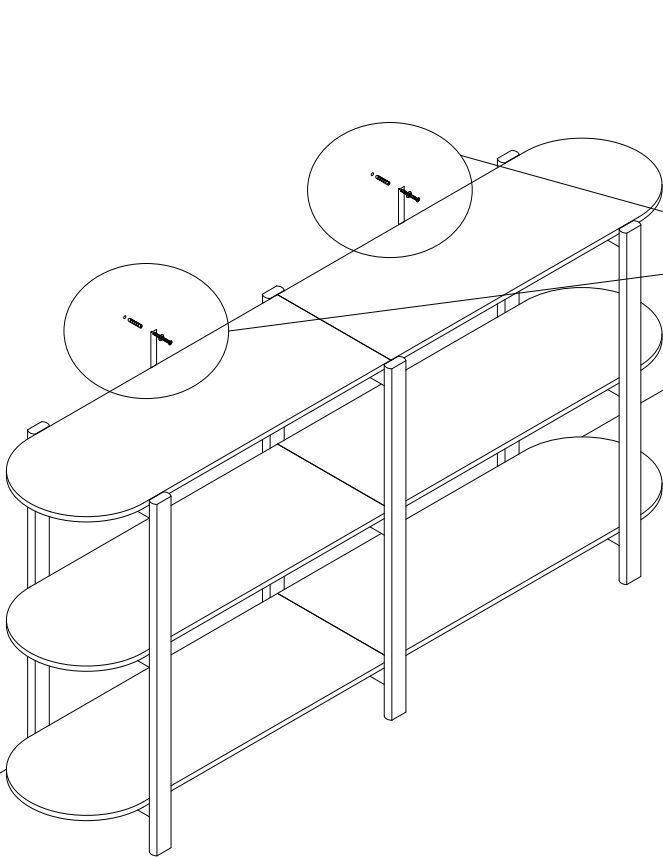
G -  x 2

H -  x 2



STEP 7

E -  x 2 I -  x 2 H -  x 2



⚠ WARNING	
	
<p>Children have died from furniture tipover.</p> <ul style="list-style-type: none"> • ALWAYS secure it with an anchor device. • NEVER allow children to stand, climb or hang on drawers, doors, or shelves. • NEVER open more than one drawer at a time. • Place heavy items down low. 	
<p>NEVER put a TV on this furniture</p> 	
<p>This is a permanent label. Do not remove!</p>	

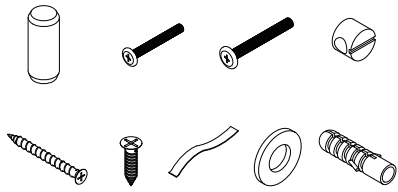
TOPPLING FURNITURE WARNING:

- It is strongly recommended that this product is permanently fixed to the wall.
- Please seek professional advice if you are in doubt of what fixing device to use.
- Regularly check that anchors are securely maintained.
- Use safety drawer locks to prevent children climbing.
- Stability of tall items may be affected by thick pile carpet or uneven floors .
- Do not place unanchored televisions on furniture .

CAUTION: for your safety when attaching the anchor fixings, please note the following:

- Check any electrical wires or plumbing inside the wall before drilling any holes (if you are unsure please seek professional advice from a qualified tradesperson).

 TOPPLING HAZARD	<p>WARNING: PLEASE SECURE YOUR FURNITURE WITH THE SUPPLIED WALL FIXING. SCAN THE CODE FOR MORE INFORMATION.</p>	
--	---	---

	J	<p>1bag Additional spare parts: You can replace during assembling.</p>
---	---	--