

# Assembly Instructions

**K: 43522613 | T: 70719505 5PK FLOATING SHELVES**

Please read instructions carefully. Be sure you have all parts before you begin to assemble. Assemble furniture on a clean, flat surface such as carpet to avoid scratching.

## Attention:

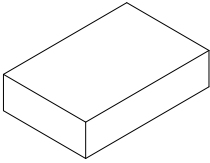
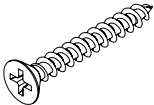
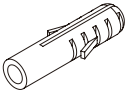
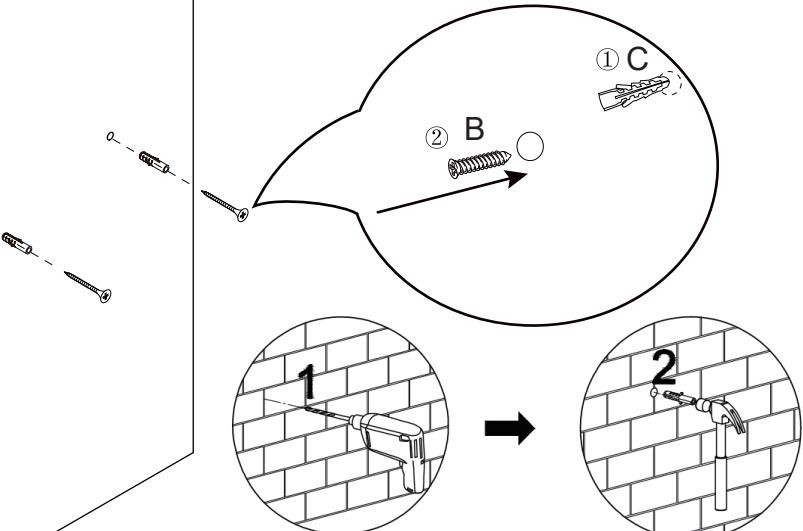
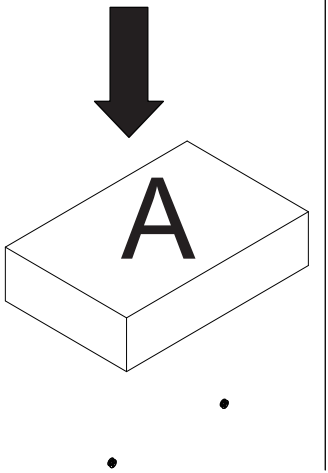
- To ensure easy assembly we advise all fittings be finger tightened during the initial assembly.
- Once the product is assembled all fittings should be fully tightened.
- We recommend a periodic check on all fixing points to make sure they remain fully tightened.
- Do not tighten the screws before all screws are in place.

This package contains small parts and sharp points, keep away from children and babies until assembly is complete.

**Max safe load limit:** 3kg FOR LARGE, 2kg FOR MEDIUM, 1kg FOR SMALL.

## Maintenance:

Wipe clean with a soft damp or dry cloth. Never clean with chemical cleaners.

<p>A. x5=1 Set</p> 	<p>B. 3.5 x 30x11</p> 	<p>C. 6 x 30x11</p> 
<p><b>1</b></p>  <p><b>2</b></p>  <p>Take the iron frame A out of B and install it on the wall.</p>		
