

# Assembly Instructions

**K: 43522675 | T: 70721287 CLEAR 5 TIER SHOE RACK**

**CARE INSTRUCTION:**

WIPE CLEAN WITH A SOFT DRY OR DAMP CLOTH.



FOR INDOOR USE ONLY.



**WARNING:**


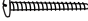


THIS PACKAGE CONTAINS SMALL PARTS, KEEP UNASSEMBLED PARTS AWAY FROM CHILDREN AND BABIES.


**MAXIMUM SAFE LOAD: 3KG PER TIER**

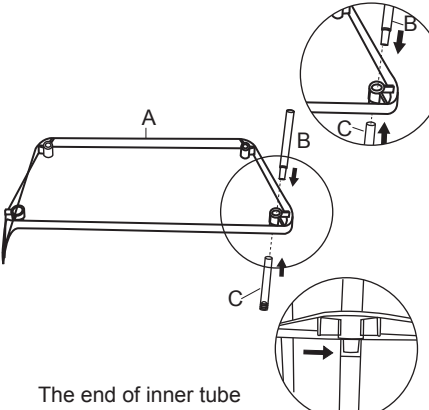
**Hardware List**

	A	5PCS
	B	16PCS


	C	4PCS
	D	4PCS

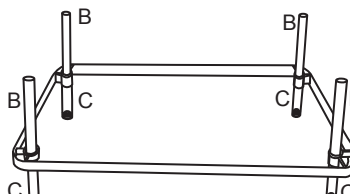
	a	2PCS
	b	2PCS
	c	2PCS
	d	2PCS


**STEP 1** 

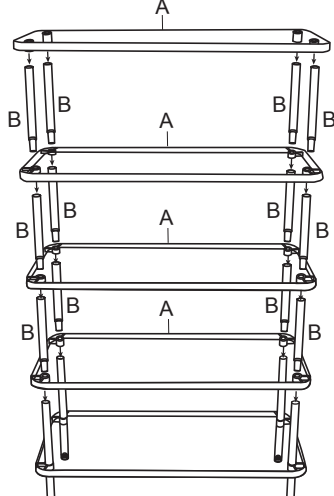


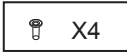
The end of inner tube should meet the line of outer tube while the shoe rack is install in place.

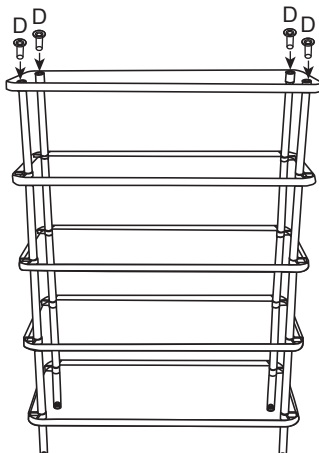
**STEP 2** 




**STEP 3** 



**STEP 4** 



**STEP 5**



After the product is fully assembled, please press each corner down till the shoe rack is install in place.

**STEP 6** 